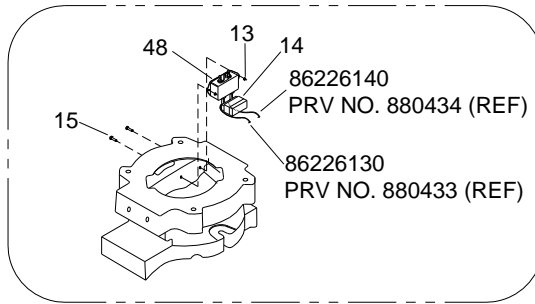
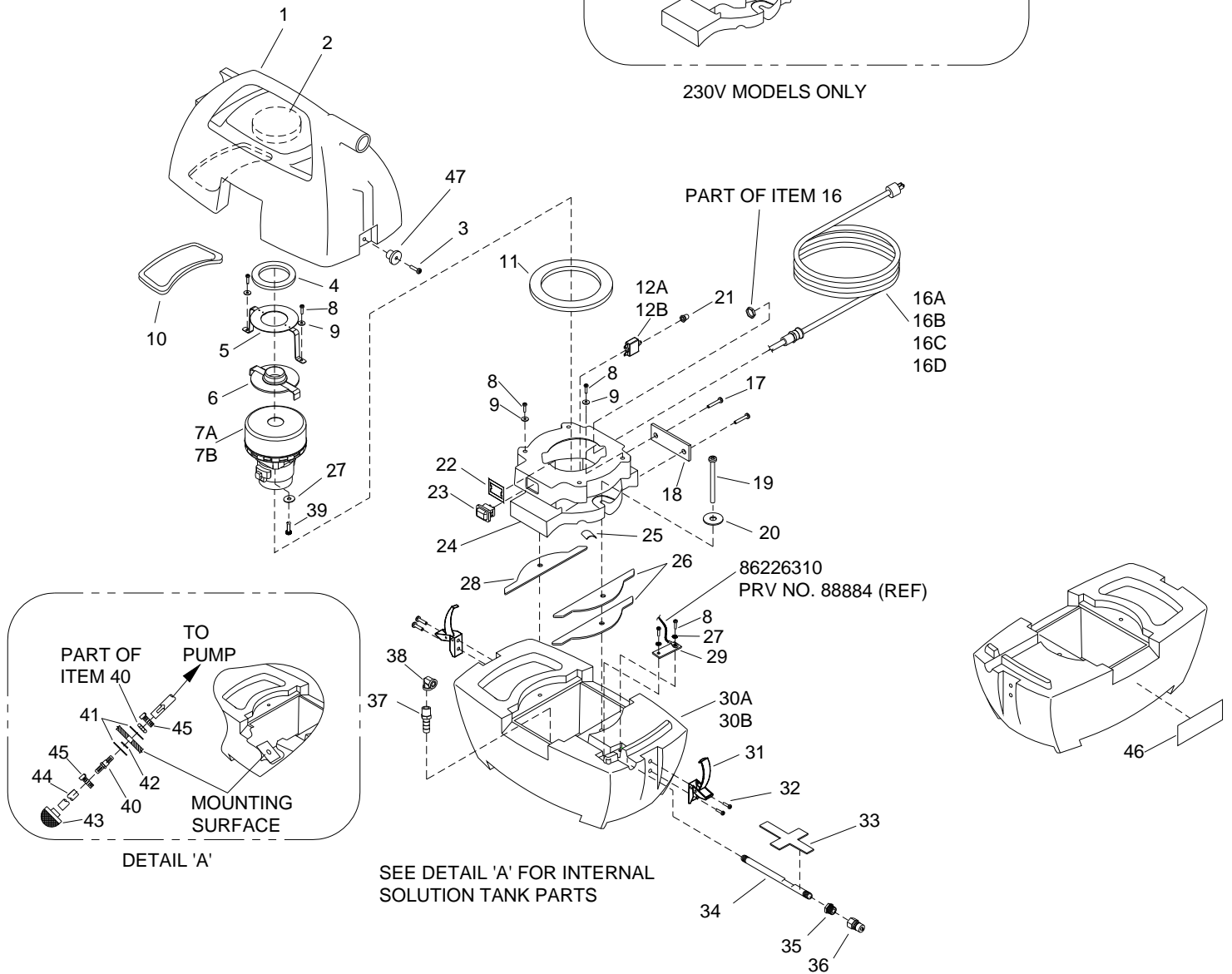


EXTRACTOR GROUP



230V MODELS ONLY



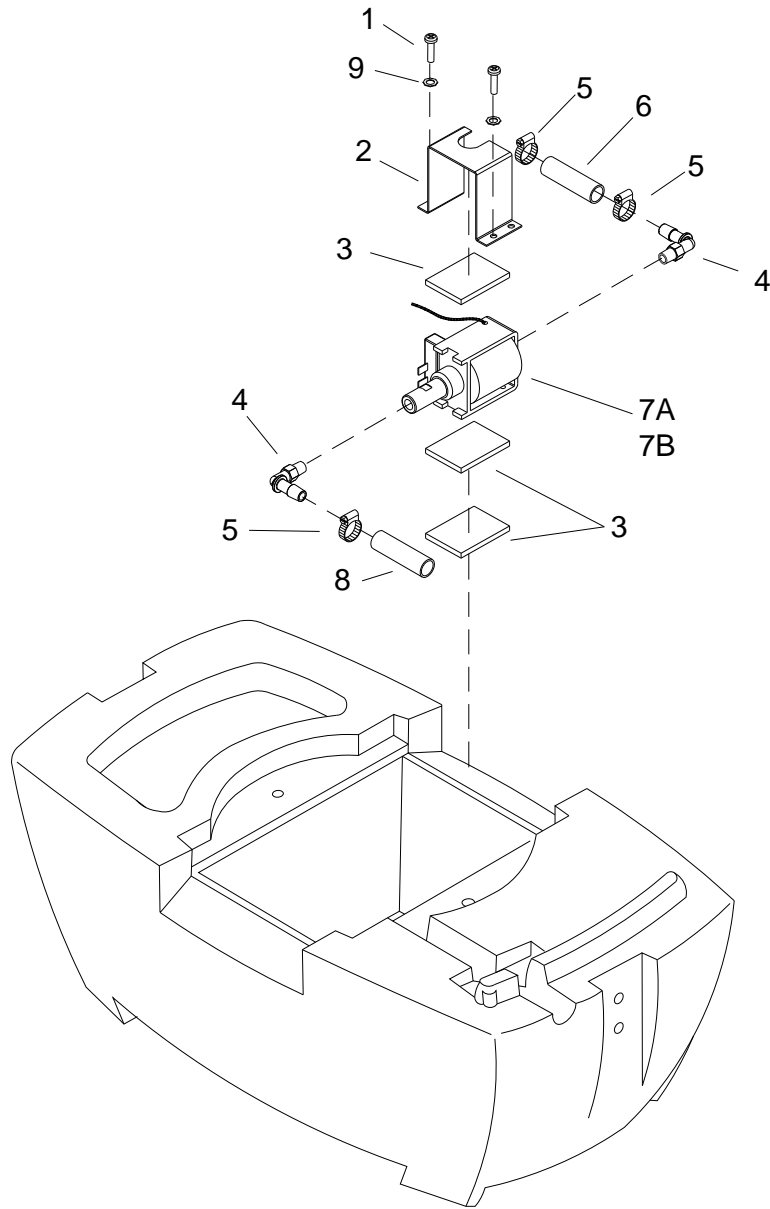
DETAIL 'A'

SEE DETAIL 'A' FOR INTERNAL SOLUTION TANK PARTS

EXTRACTOR GROUP

REF	PART NO.	PRV NO.	QTY	DESCRIPTION	SERIAL NO. FROM	NOTES:
1	86225200	75211	1	TANK, RECOVERY		
2	86236520	34293	1	FOAM, 4.00 OD X 1.0 THICK		
3	86223730	70859	2	SCREW, 8-32 X 1/2 FHMS BLK PLTD		
4	86237440	35168	1	GASKET, 4.06 X 2.50 X .38		
5	86223440	67511	1	RETAINER, VAC MOTOR		
6	86217310	270102	1	COVER, VAC MOTOR		
7A	86258440	53137	1	VAC MOTOR, 120V 2ST LNP		
7B	86225500	53813	1	VAC MOTOR, 230V 2ST LNP		230V MACHINES ONLY
8	86274290	70162	6	SCR, 10-32 X 3/8 PPHMS SS		
9	86225770	87494	4	WASHER, M6 X 12.5 FLAT SS		
10	86237410	35160	1	GASKET, SPOTTER RECOVERY		
11	86237420	35161	1	GASKET, 4.0 X 5.5" X .25 PORON		
12A	86215670	140839	1	BREAKER, 8A VDE CIRCUIT		
12B	86215710	141046	1	BREAKER, 5A VDE CIRCUIT		
13	86010690	87068	2	WASHER, 1/8 RIVET BACKUP		
14	86261160	27952	1	CAPACITOR ASM, EMI SPOTTER		230V MACHINES ONLY
15	86136540	67481	3	RIVET, M4 X 14 MM		
16A	86217060	23722	1	CORD ASM, 14 X 3 25' YLW SPOTTER		U.S. MACHINE
16B	86217040	23720	1	CORD ASM, UK SPOTTER		UK MACHINE
16C	86217070	23723	1	CORD ASM, EURO SPOTTER		EUROPE MACHINE
16D	86217080	23724	1	CORD ASM, AUST SPOTTER		AUSTRALIA MACHINE
17	86136550	67483	2	RIVET, M3 X 12 MM		
18	86079650	62129	1	PLATE, DATA LABEL		
19	86275870	70556	2	SCREW, 1/4-20 X 1.5 PHMS PLTD		
20	86225760	87493	2	WASHER, M8 X 22 FLAT PLTD		
21	86002010	14942	1	BOOT, 3/8 CIRCUIT BREAKER		
22	86233510	27376	1	CLIP, SWITCH RETAINING		
23	86225110	72194	1	SWITCH, DPST 250V 16(4) SPLASH		
24	86219310	41278	1	HOUSING, VAC		
25	86237460	35173	1	GASKET, .31 x .75 x 1.98		
26	86237450	35172	2	GASKET, VAC HOUSING 3/16"		
27	86010640	87016	3	WASHER, #10 EXT. TOOTH LOCK		
28	86218030	35354	1	GASKET, VAC HOUSING 3/8"		
29	86068560	140037	1	BRACKET, NIPPLE		
30A	86225190	75210	1	TANK, SOLUTION		
30B	86225220	75459	1	TANK, SOLUTION SPOTTER GRAY		
31	86246180	51320	2	LATCH, PRESTO TANK		
32	86006520	70052	4	SCREW, 8-32 X 3/8 PPHMS SS		
33	86218160	35368	1	GASKET, GROUND WIRE		
34	86247740	56049	1	NIPPLE, 1/4 X 6.0 BRASS		
35	86227220	04066	1	ADPTR, 1/8 MPT X 1/4 FPT BRASS		
36	86200820	270-11A	1	NIPPLE, 1/8 FPT QD MALE BRASS		
37	86197580	40029	1	HOSEBARB, 1/4 MPT X 3/8		
38	86197370	31017	1	ELBOW, 1/4 FPT X 1/4 FPT		
39	86288450	70689	1	SCR, M4.8 X 10 HHTF TYPE B		
40	86258310	140070	1	BULKHEAD, UNION		
41	86279320	87136	2	WASHER, .52 ID X .875 OD		
42	86248090	59034	1	O-RING, .500 ID X .688 OD X .103		
43	86007700	73250	1	STRAINER, 80 MESH X 3/8 FPT		
44	86219010	39708	1	HOSE, 3/8 ID SGLBRD RBR X 5"		
45	86233150	20042	2	CLAMP, HOSE		
46	86220140	500895	1	LABEL, WARNING		
47	86241790	48074	2	KEEPER, PRESTO LATCH		
48	86236010	34290	1	FILTER, EMI 250V 6A 1.75MM		230V MACHINES ONLY

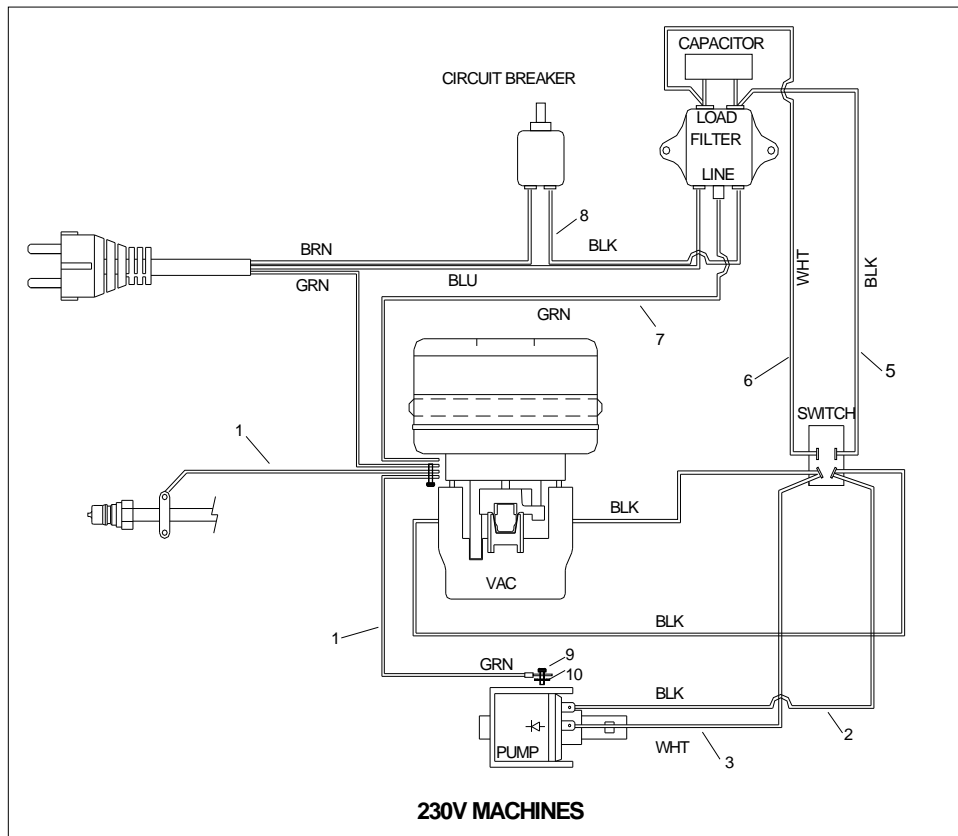
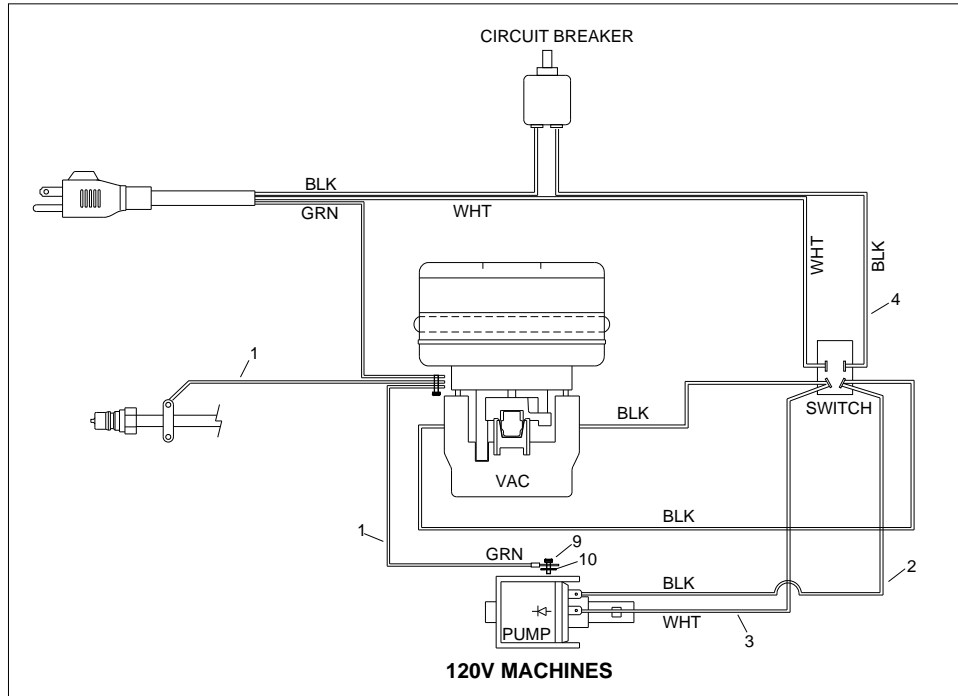
SOLUTION PUMP GROUP



SOLUTION PUMP GROUP

REF	PART NO.	PRV NO.	QTY	DESCRIPTION	SERIAL NO. FROM	NOTES:
1	86275700	70528	2	SCREW, 10-32 X 3/8 PPH EX-SEMS		
2	86068690	140172	1	BRACKET, SOLENOID PUMP		
3	86237530	35187	3	GASKET, TUBE SEAL		
4	86197590	40031	2	HOSEBARB, 1/8 MPT 3/8 90°		
5	86233150	20042	3	CLAMP, HOSE		
7A	86201110	250-78	1	PUMP, 110/120V 60HZ FLOJET		
7B	86201120	250-78A	1	PUMP, 220/240V 50 HZ FLOJET		230V MACHINES ONLY
8	86280910	39174	1	HOSE, 3/8" WIREBOUND X 2.6"		
9	86010640	87016	2	WASHER, #10 EXT. TOOTH LOCK		

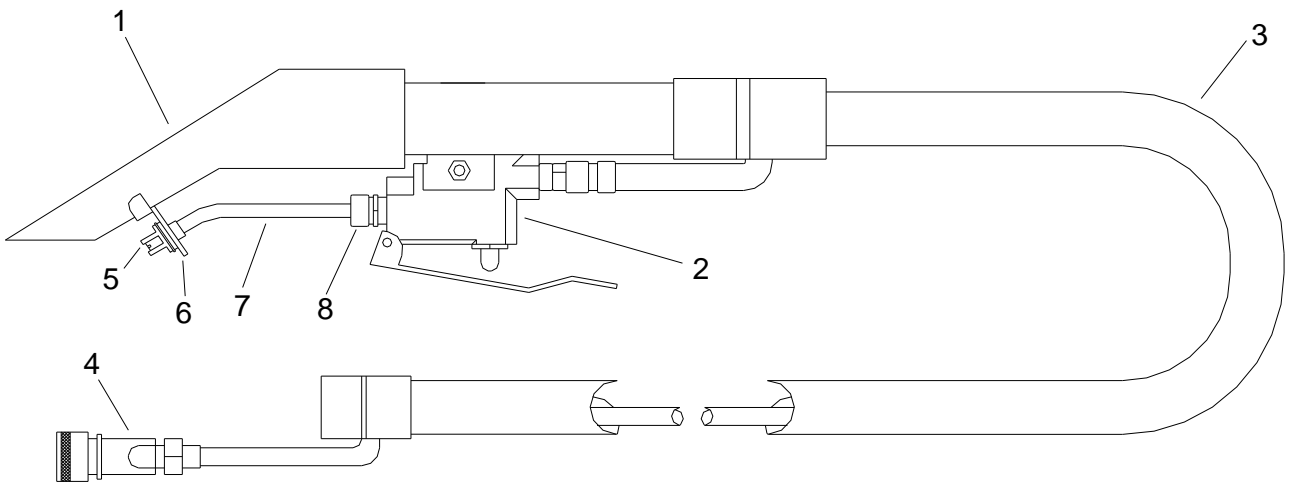
WIRING DIAGRAM



WIRING PARTS LIST

REF	PART NO.	PRV NO.	QTY	DESCRIPTION	SERIAL NO. FROM	NOTES:
1	86226310	88884	2	WIRE, 14" GRN/18 76010 X 76010		
2	86226100	880430	1	WIRE, 13" BLK/18 76050 X 76029		
3	86226110	880431	1	WIRE, 13" WHT/18 76050 X 76029		
4	86226120	880432	1	WIRE, 9" BLK/18 76029 X 76029		
5	86226130	880433	1	WIRE, 9" BLK/18 76050 X 76029		
6	86226140	880434	1	WIRE, 9" WHT/18 76050 X 76029		
7	86226160	880436	1	WIRE, 10" GRN/18 76022 X 76010		
8	86226150	880435	1	WIRE, 12" BLK/18 76029 X 76022		
9	86006770	70323	1	SCR, 10-32 X 1/4 PHTR PLTD		
10	86010640	87016	1	WASHER, #10 LOCK EXT STAR SS		

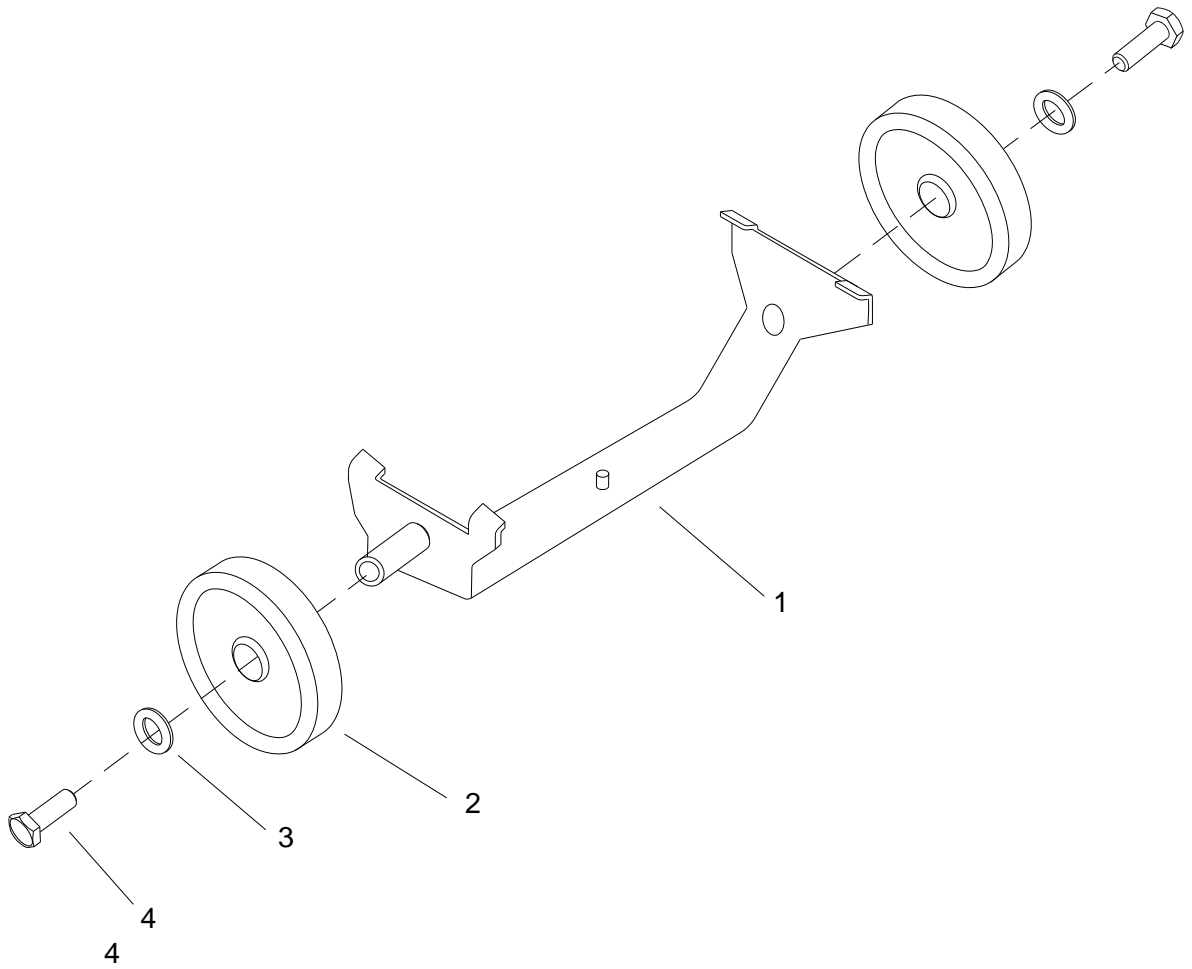
HAND TOOL



HAND TOOL

REF	PART NO.	PRV NO.	DESCRIPTION	SERIAL NO. FROM	NOTES:
1	86219340	41536	HOUSING, HANDTOOL SPOTTER OKA		
2	86225670	84200	VALVE ASM, SPOTTER OKA		
3	86219020	39712	HOSE ASM, VAC/SOLUTION OKA		
4	86200810	270-11	NIPPLE, 1/8 FPT QD FEM BRASS		
5	86219570	44100	JET, ASM W/O RING OKA		
6	86223100	629998	PLATE, RETAINER W/HARDWARE OKA		
7	86221910	54202	MANIFOLD, SPOTTER OKA		
8	86218000	34438	FTTG, 1/8MPT X 3/16 COMP OKA		
9	86218790	HTO	HAND TOOL, SPOTTER OKA		ENTIRE ASSEMBLY AS KIT

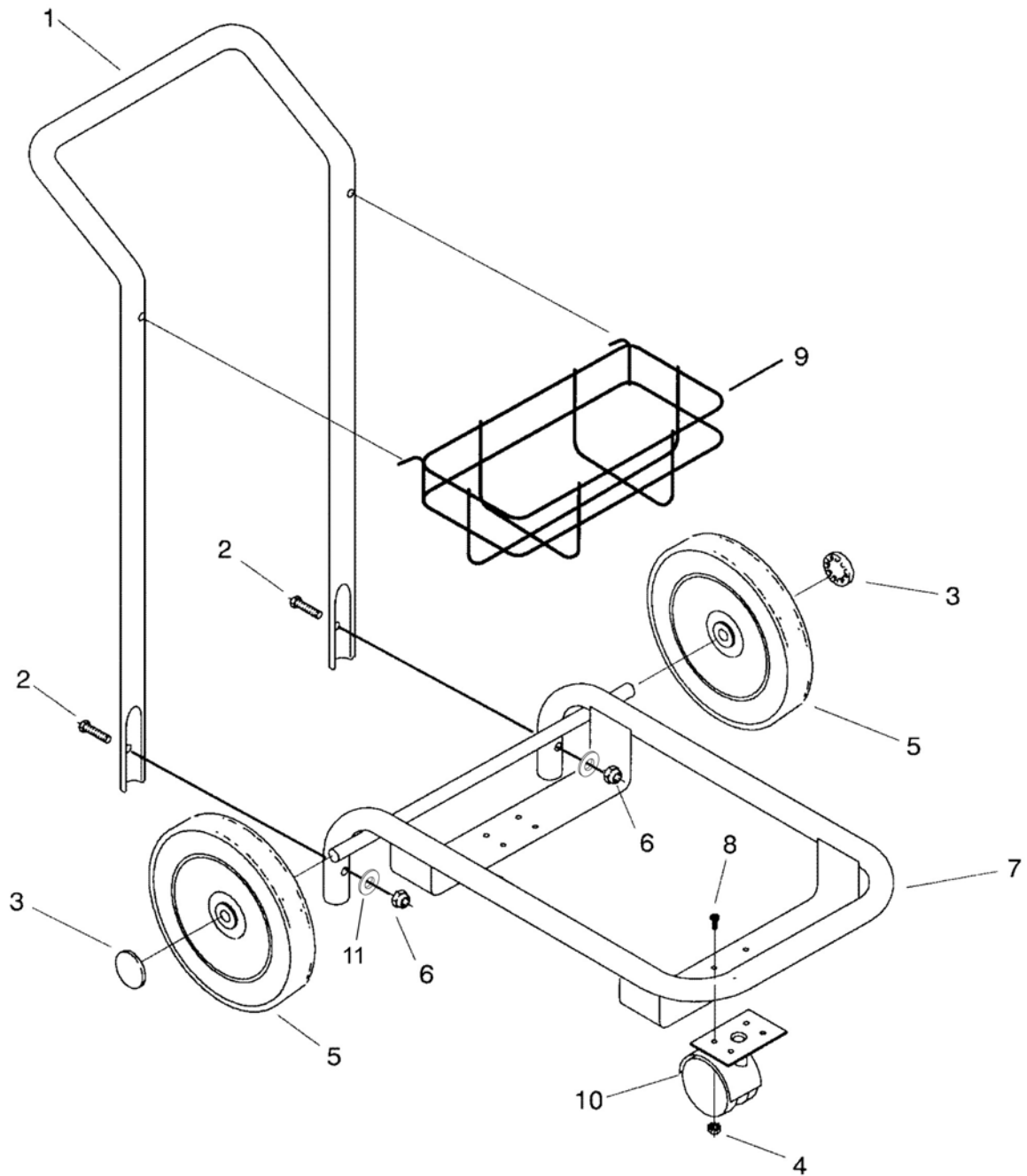
MINI CART



MINI CART

REF	PART NO.	PRV NO.	DESCRIPTION	SERIAL NO. FROM	NOTES:
1	86222950	62846	PLATE, WELDMENT		
2	86259770	89086	WHEEL, 5"D X 1" X .5" ID GRY		
3	86137280	87054	WASHER, M8 FLAT DIN125A PLT		
4	86136640	70262	SCR, M8 X 20 HHMS PLTD		
	86222030	PMCT	PRESTO MINI CART		ENTIRE ASSEMBLY AS KIT

CART



CART

REF	PART NO.	PRV NO.	DESCRIPTION	SERIAL NO. FROM	NOTES:
1	86089270	78310	TUBE, CART HANDLE		
2	86273740	70010	SCREW, 1/4-20 X 1.5 TAP PLTD.		
3	86271380	57196	NUT, 1/2 STAR LOCK PUSH-ON		
4	86005700	57104	NUT, 10-32 HEX W/ STAR WASHER		
5	86259680	89048	WHEEL		
6	86005680	57047	NUT, 1/4-20 LOCK		
7	86092130	27637	BASE, CART PRESTO		
8	86006590	70088	SCREW, 10-32 X 1/2 PHMS		
9	8628340	140088	BASKET, 3 BOTTLE		
10	86232530	18010	CASTER, SWIVEL		
11	86010630	87013	WASHER, 1/4 ID X 5/8 OD SS		
	86000030	PCT	SPOTTER CART		ENTIRE ASM AS KIT

SUGGESTED SPARE PARTS

REF	PART NO.	PRV NO.	DESCRIPTION	SERIAL NO. FROM	NOTES:
1	86225110	72194	SWITCH, DPST 250V 16(4) SPLASH		
2	86258440	53137	VAC MOTOR, 120V 2ST LNP		
3	86225500	53813	VAC MOTOR, 230V 2ST LNP		
4	86027810	250-78	PUMP, 110/120 60HZ FLOJET		
5	8620112	250-78A	PUMP, 220/240V 50HZ FLOJET		
6	86135320	140687	BRUSH SET, 120V VAC, WINDSOR		120V MOTOR ONLY
7	86135330	140688	BRUSH SET, 230V VAC, WINDSOR		230V MOTOR ONLY