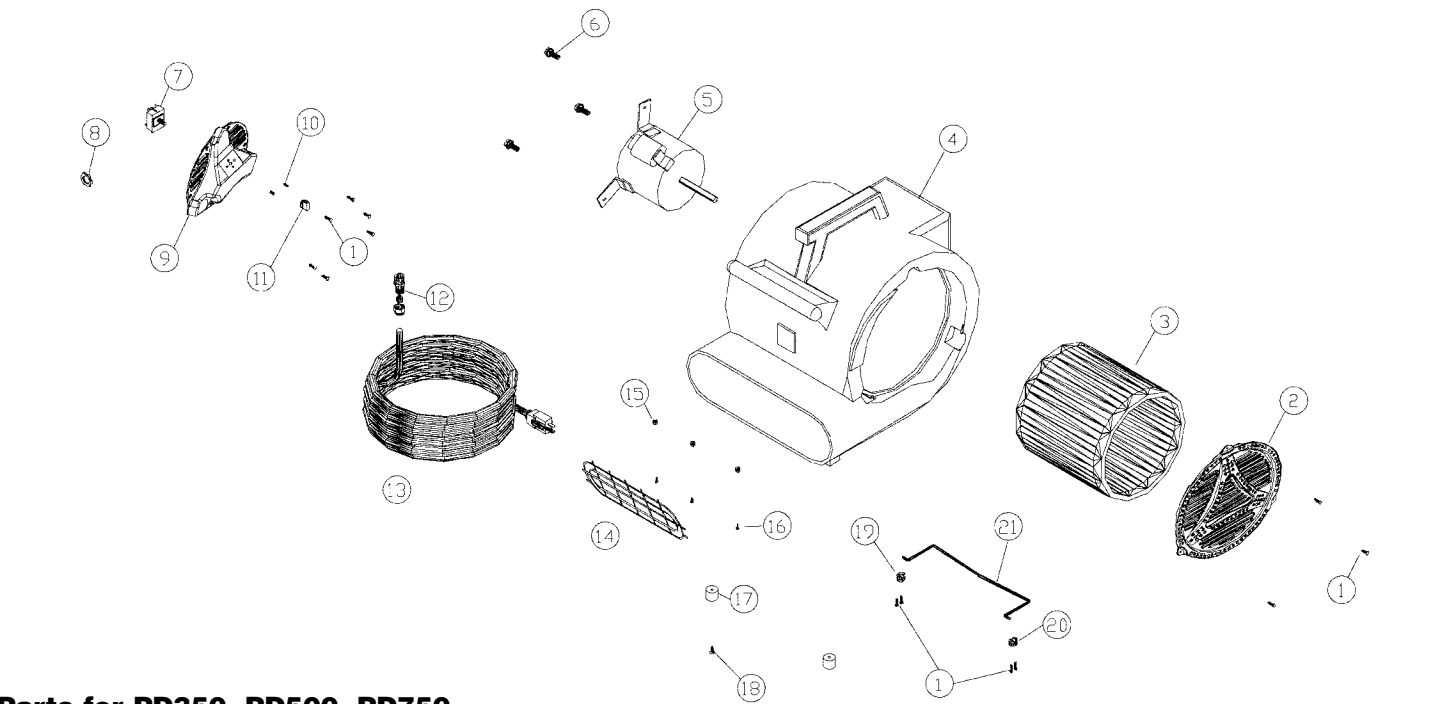
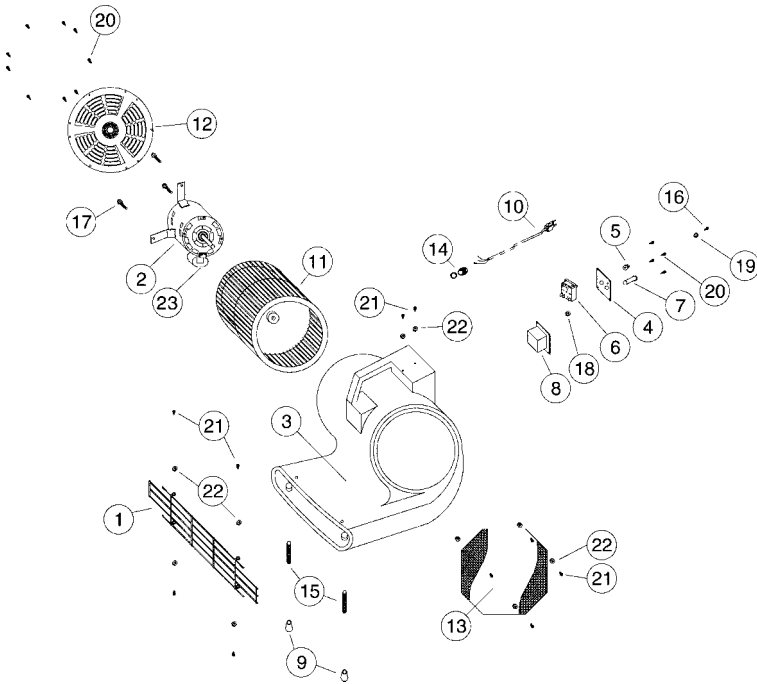


Parts for PD2500

ref#	order	description	each
1	PD14	grill (finger guard)	16.83
2	PD2	motor with capacitor and bracket	110.68
	PD2D	4 leg motor	101.97
3	PD20	housing	130.31
4	PD25	blower switch plate	2.34
5	PD1K	switch knob	2.22
6	PD1	switch	9.67
7	X8102	neon light with lens	2.86
8	PD25A	housing, dryer switch	3.93
9	PD3	rubber feet	.99
10	PD4	15' heavy duty 3 wire cord	9.61
11	PD5	squirrel cage with locknut	23.02
12	PD6A	motor cover and screen	18.46
13	PD7B	11" square 22 gallon screen	12.69
14	PD8	strain relief	7.63
15	PD9	dryer legs, 5"	1.43
	PD9A	dryer legs, 4-1/2"	1.43
16	X8208	10-24 x 5/8 phillips pan head	.13
17	X8209S	1/4-20 x 1/2" serrated hex	.13
18	X8242	10-24 hex nut	.15
19	X8254	#10 shakeproof washer	.07
20	X8261	6 x 1/2 phillips pan head type	.07
21	X8270	10-24 x 1/2 phillips truss	.08
22	X8271	nylon insert lock nut plated	.07
23	PD10	capacitor 5 mfd, 370 vac	7.90



Parts for PD350, PD500, PD750

ref#	order	description	each	ref#	order	description	each
1	X8261	screw #6 x 1/2 phil pan type a	.07	10	X8903	m4x6 flat head phillips screw	.16
2	X8872	intake panel	10.60	11	PD1K	knob, switch	2.22
3	PD5	squirrel cage w/locknut PD350	23.02	12	PD8	strain relief 1/2" npt	7.86
	X8873	squirrel cage w/locknut PD500, PD750	29.65	13	X8926	25' heavy duty 3 wire cord	9.61
4	X8876	dryer housing	130.31	14	X8870	dryer discharge	9.99
5	X8882	dryer motor and capacitor PD350	86.52	15	X8256	nut 8-32 lock w/nylon insert	.11
	X8881	dryer motor and capacitor PD500	86.52	16	X8278	screw 8-32 x 1/2 phil pan	.11
	X8868	dryer motor and capacitor PD750	93.92	17	PD3B	foot, black rubber, new style	2.17
6	X8964	screw 3/8-16 x 1/2	.55	18	X8221	screw 8-32 x 3/4 phil pan	.18
7	X8897	switch	7.73	19	X8929	right tilt stand foot	1.75
8	X8008N	nut, lock, 1/2" steel conduit	.16	20	X8929	left tilt stand foot	1.75
9	X8875	motor control panel	7.86	21	X8874	kickstand	3.00