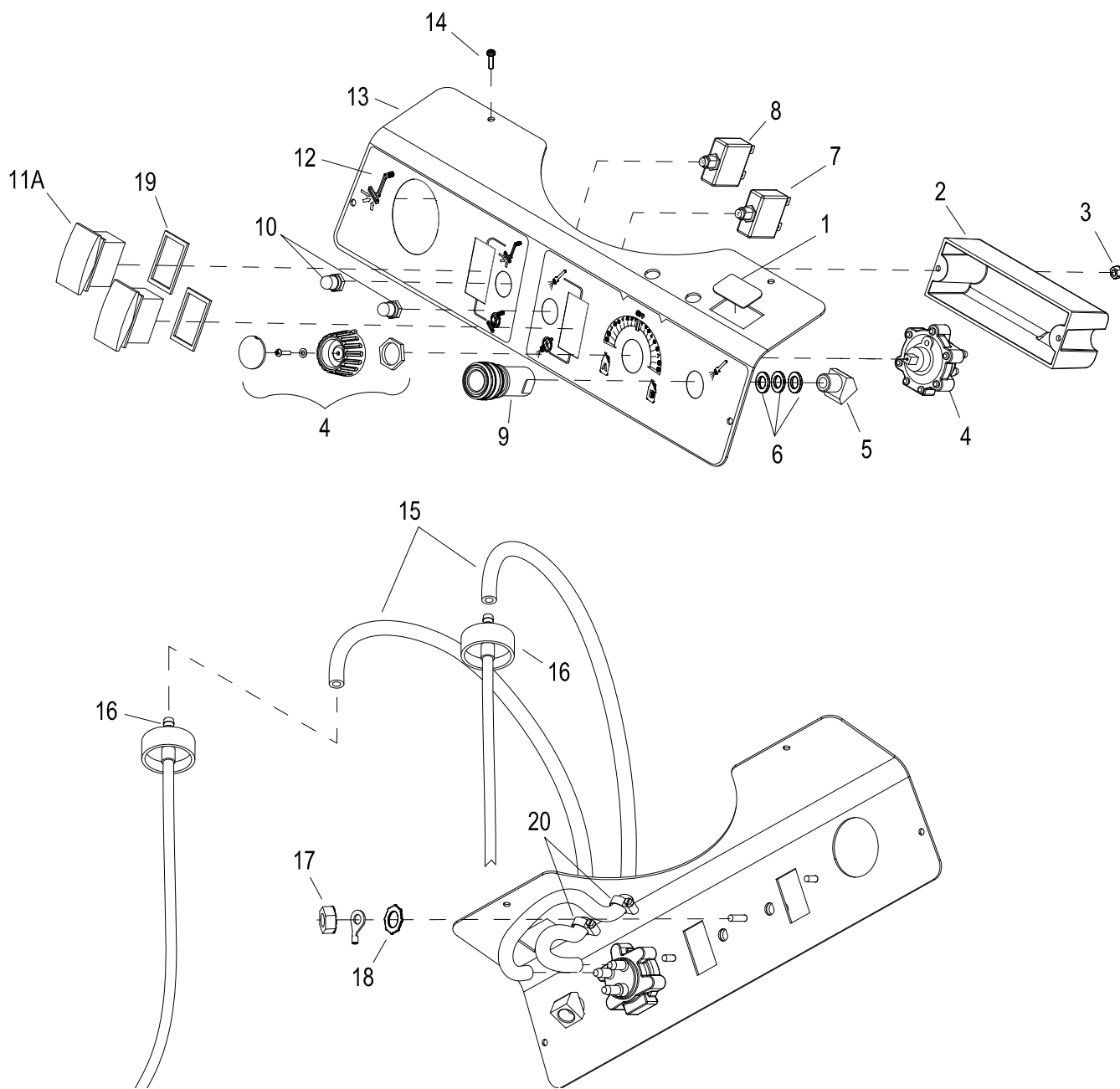


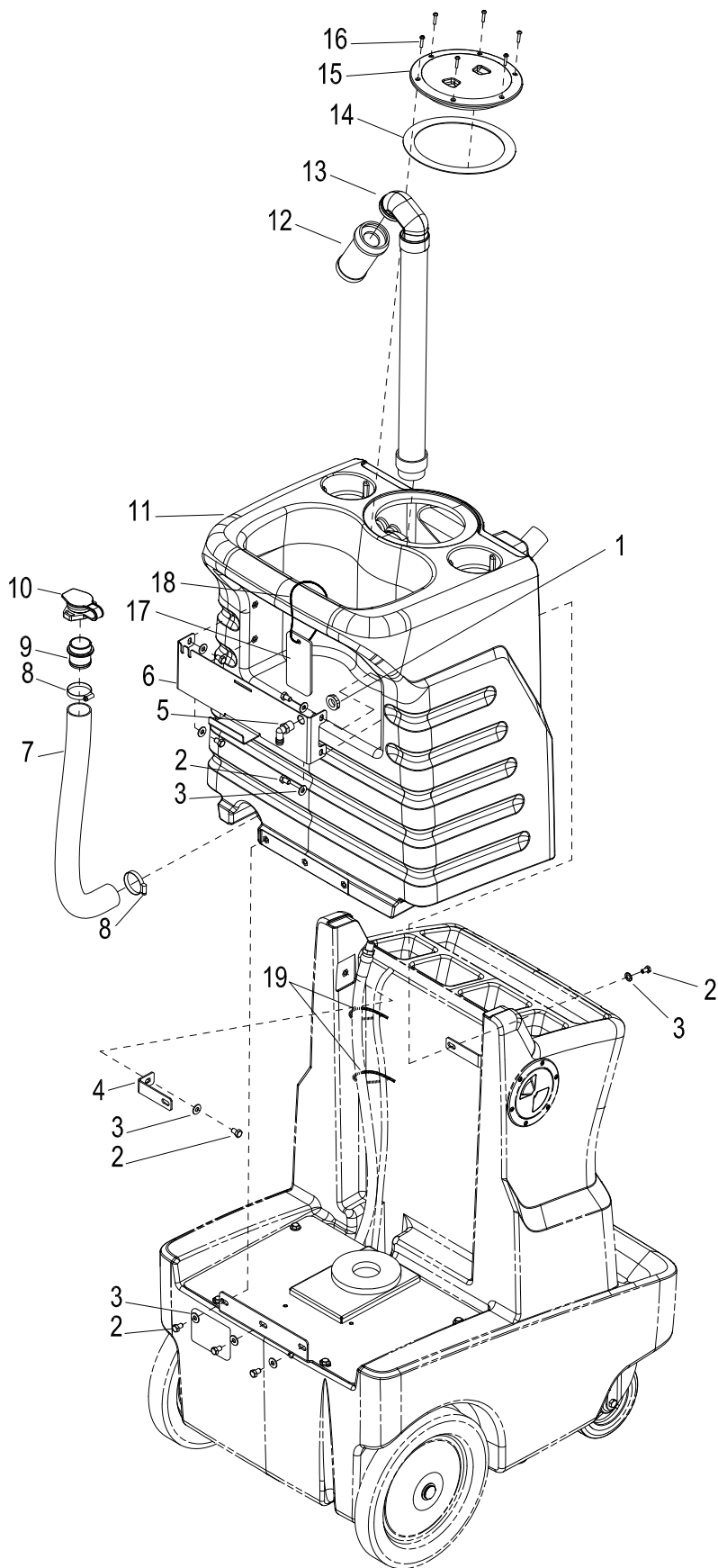
CONTROLS



CONTROLS

REF	PART NO.	PRV NO.	QTY	DESCRIPTION	SERIAL NO. FROM	NOTES:
1	86243990	500780	1	LABEL, COVER PANEL		
2	86234690	270012	1	COVER, SWITCH PANEL		
3	86270990	57090	2	NUT, 10-32 HEX NYLOCK SS		
4	86258930	84187	1	VALVE, CHEMICAL METERING		
5	86197390	31021	1	ELBOW, 1/4 NPT 45° STREET		
6	86279560	87178	3	WASHER, 5/8 ID X 1.7 OD 0.05 T		
7	86230210	14832	1	BREAKER, 6A VDE CIRCUIT		
8	86001940	14635	1	BREAKER, 10A CIRCUIT		
9	86002450	22015	1	COUPLER, 1/4 QD		
10	86002010	14942	2	BOOT, 3/8 CIRCUIT BREAKER		
11A	86007130	72128	2	SWITCH, DPDT 2-POSITION PCKER		
11B	86007140	72130	1	SWITCH, SPST 2-POSITION ROCKER		
12	86290050	-	1	LABEL, SWITCH PANEL, CMPS		
13	86078140	61415	1	PANEL, SWITCH CONTROL		
14	86276600	70696	4	SCR, #10 X 3/4 PTHSMS SS		
15	86282280	39634	2	HOSE, 1/4 NYLOBRAID X 23"		
16	86232110	270699	2	CAP, CHEM FEED W/DIP TUBE		
17	86270800	57104	2	NUT, 10-32 W/ STAR WASHER PLTD		
18	86010640	87016	1	WASHER, #10 LOCK EXT STAR SS		
19	86238030	36235	2	GASKET, SWITCH CARLING		
20	86233090	20016	2	CLAMP, 1/4 ID HOSE		

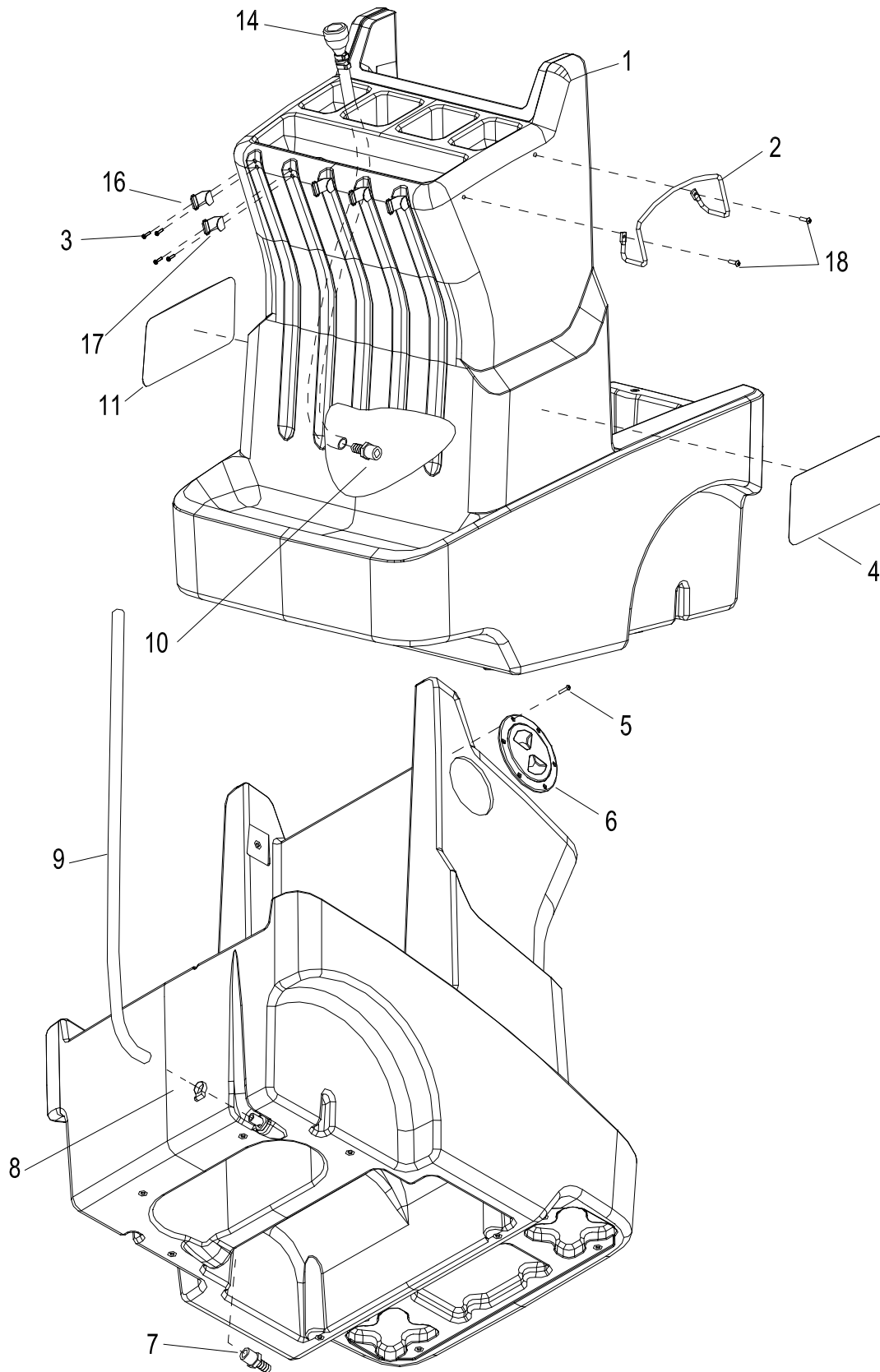
RECOVERY TANK



RECOVERY TANK

REF	PART NO.	PRV NO.	QTY	DESCRIPTION	SERIAL NO. FROM	NOTES:
1	86271830	57283	1	NUT, 3/8 NPT PLASTIC		
2	86277040	70781	11	SCR, 5/16-18 X 1/2 HHCS SS NP		
3	86010670	87029	11	WASHER, 5/16 FLAT SS		
4	86070510	140659	2	BRKT, TANK MOUNT		
5	86197940	40027	1	HOSEBARB, 3/8 MPT X 1/2 90° DL		
6	86070450	140651	1	BRKT, UTILITY MOUNT		
7	86004190	39337	1	HOSE, 1.5 BLK VAC X 24"		
8	86177050	03-000176	2	CLAMP, HOSE #20		
9	86004510	41391	1	HOSE, INSERT		
10	86004500	41390	1	HOSE, CAP		
11	86031160	75438	1	TANK, RECOVERY COMPASS		
12	86199840	090-12A	1	FLOAT CAGE ASM, COMPLETE		
13	86033250	66402	1	PIPE ASM, VACUUM STACK		
14	86004000	35255	1	GASKET, TANK LID		
15	86002620	260-64A	1	ACCESS COVER CLEAR 6" W/ RIM		
16	86275800	70546	6	SCR, 8 X 3/4 PFHT/S BLK ZINC		
17	86241450	500806	1	INSTRUCTION CARD, CMPS		
18	86002870	27417	1	CORD, 99807 1/8 X 12"		
19	86264940	27051	2	CABLE TIE, 11.38" UL/CSA		

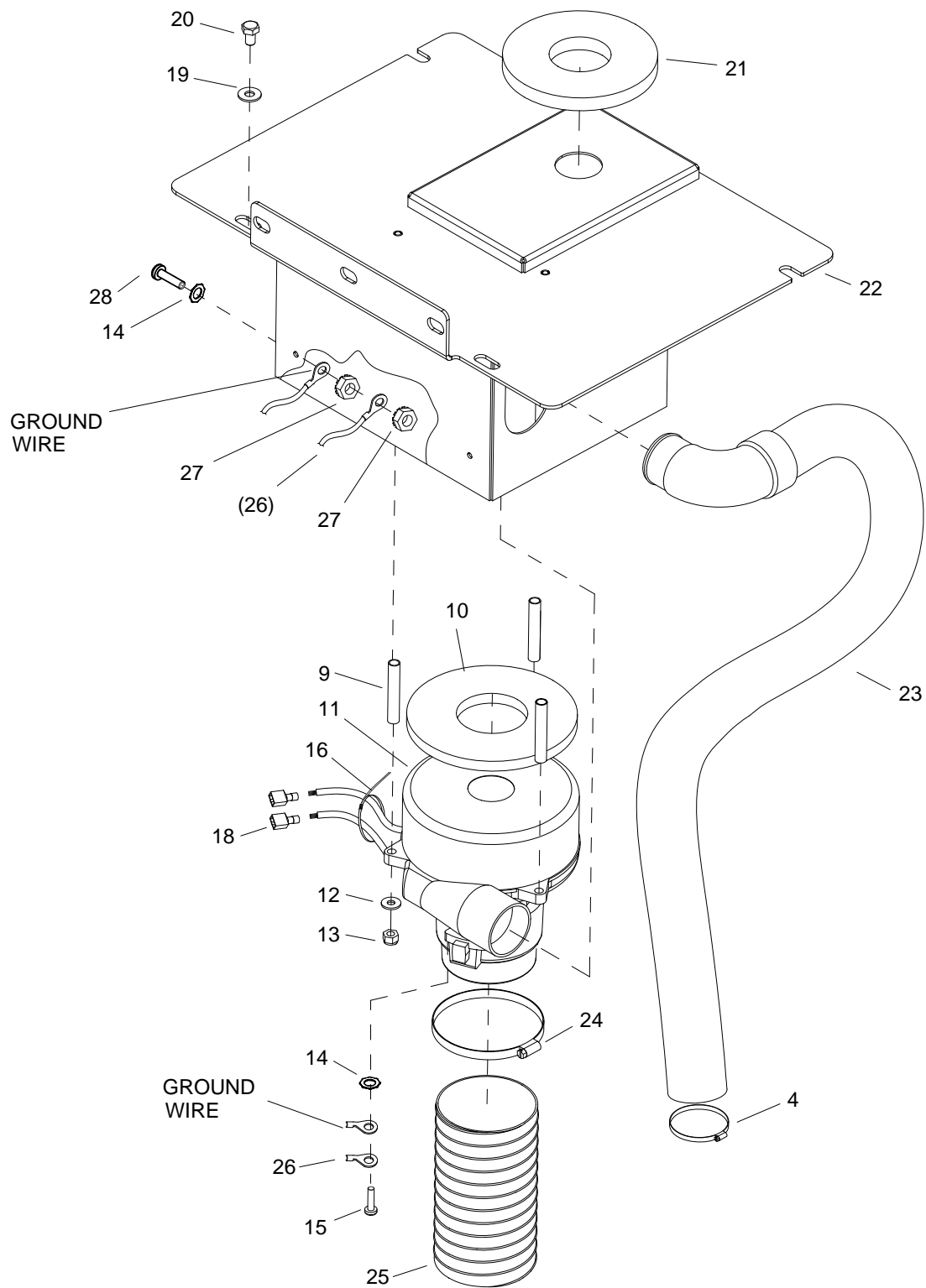
SOLUTION TANK



SOLUTION TANK

REF	PART NO.	PRV NO.	QTY	DESCRIPTION	SERIAL NO. FROM	NOTES:
1	86290070	-	1	TANK, SOLUTION CMPS		
2	86239680	41476	1	HOOK, HOSE STORAGE		
3	86276600	70696	10	SCR, #10 X 3/4 PTHSMS SS		
4	86243960	500777	1	LABEL, COMPASS LEFT		
5	86275800	70546	6	SCR, 8 X 3/4 PFHT/S BLK ZINC		
6	86226970	49-876215	1	ACCESS COVER, CLEAR 3.5" W/ RIM		
7	86197910	40022	1	HOSEBARB, 1/2 MPT X 1/2 POLY DL		
8	86233150	20042	1	CLAMP, 3/8 HOSE (D-SLOT)		
9	86282260	39630	1	HOSE, 1/2 CLEAR X 34"		
10	86240400	40077	1	HOSEBARB, 3/4MPT X 1/2 HOSE		
11	86243970	500778	1	LABEL, COMPASS RIGHT		
12	86277040	70781	2	SCR, 5/16-18 X 1/2 HHCS SS NP		
13	86070490	140657	2	BRKT, HOOK TAB		
14	86260810	39633	1	HOSE ASM, SOLUTION FILL HOSE		
15	86234510	270018	1	CORD, 1/4 DIA BUNGEE		
16	86256080	730232	3	STRAP, 1.5" X 7.00" VELCRO		
17	86256070	730231	2	STRAP, 1.5" X 4.50" VELCRO		
18	86006590	70088	2	SCR, 10-32 X 1/2 PPHMS SS NP		

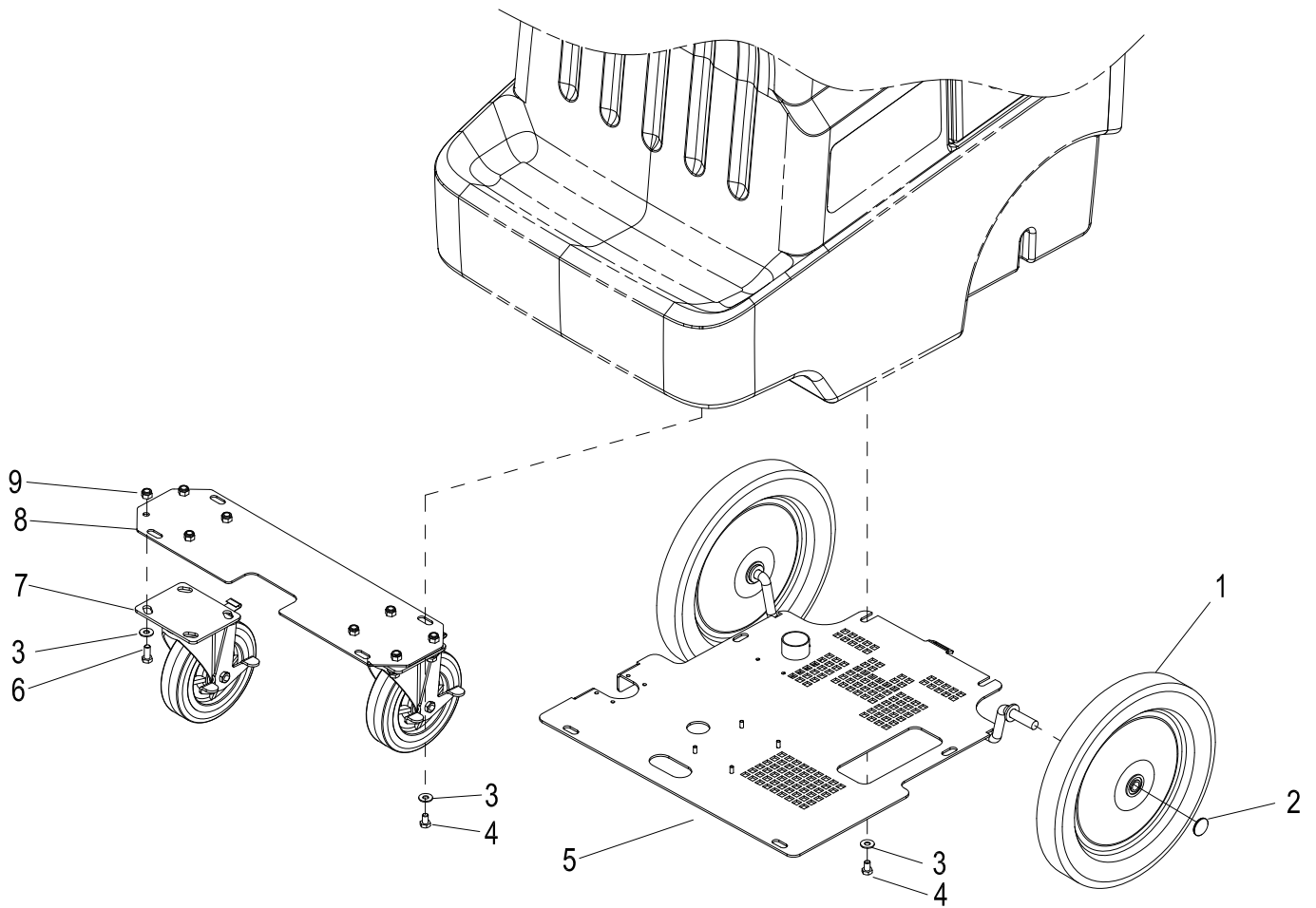
VACUUM



VACUUM

REF	PART NO.	PRV NO.	QTY	DESCRIPTION	SERIAL NO. FROM	NOTES:
1	86237850	35268	2	GASKET, 5.0 OD X 1.75 ID X .38T		
2	86092220	270010	1	COVER, VAC MOTOR		
3	86238020	36234	1	GASKET, 5.0 OD X 3.1 ID X .75		
4	86002390	20063	1	CLAMP, 1.75" WORM GEAR X .312		
5	86282120	39582	1	HOSE, VAC EXHAUST X 9"		
6	86093590	620004	1	PLATE, VAC MOUNT		
7	86004190	39337	1	HOSE, 1.5 BLK VAC X 24"		
8	86276940	70758	3	SCR, 1/4-20 X 3.5 HHCS SS NP		
9	86201970	065-92	3	VAC SPACER, 2-1/4 II STAGE		
10	86003760	35166	1	GASKET, VAC MOTOR		
11	86202040	360-04A	1	VAC MOTOR, 120V 5.7 2 ST TD		
-	86202070	360-04B	-	BRUSHES, VAC FOR 116392-00		
-	86135320	140687	-	BRUSH SET, 120V VAC WINDSOR		
-	86028720	53266	-	VAC MOTOR ASM, 115V W/ TERM		
12	86010630	87013	3	WASHER, 1/4 ID X 5/8 OD SS		
13	86005810	57245	3	NUT, 1/4-20 HEX NYLOCK SS		
14	86010640	87016	2	WASHER, #10 LOCK EXT STAR SS		
15	86274370	70191	1	SCR, 10-24 X 1/2 HHTC TYPE 23		
16	86264930	27050	1	CABLE TIE, 3.5" UL/CSA		
17	86002380	20046	1	CLAMP, 2.25" WORM GEAR		
18	86266130	76044L	2	TERM, 14G MALE COUPLER F/I		
19	86010670	87029	5	WASHER, 5/16 FLAT SS		
20	86277040	70781	5	SCR, 5/16-18 X 1/2 HHCS SS NP		
21	86237870	35270	1	GASKET, 5.0OD X 2.0ID X .50T		
22	86078870	620018	1	PLATE, COVER VAC MOUNT		
23	86004370	39547	1	HOSE ASM, 1.5 BLK VAC X 21		
24	86233260	20092	1	CLAMP, 3.5" WORM GEAR		
25	86240240	39697	1	HOSE, 3.15ID X 7.0L VENT		
26	86269400	88951	1	WIRE, 10" GRN/18 76008 X 76008		
27	86005700	57104	2	NUT, 10-32 W/ STAR WASHER PLTD		
28	86006590	70088	1	SCR, 10-32 X 1/2 PPHMS SS NP		

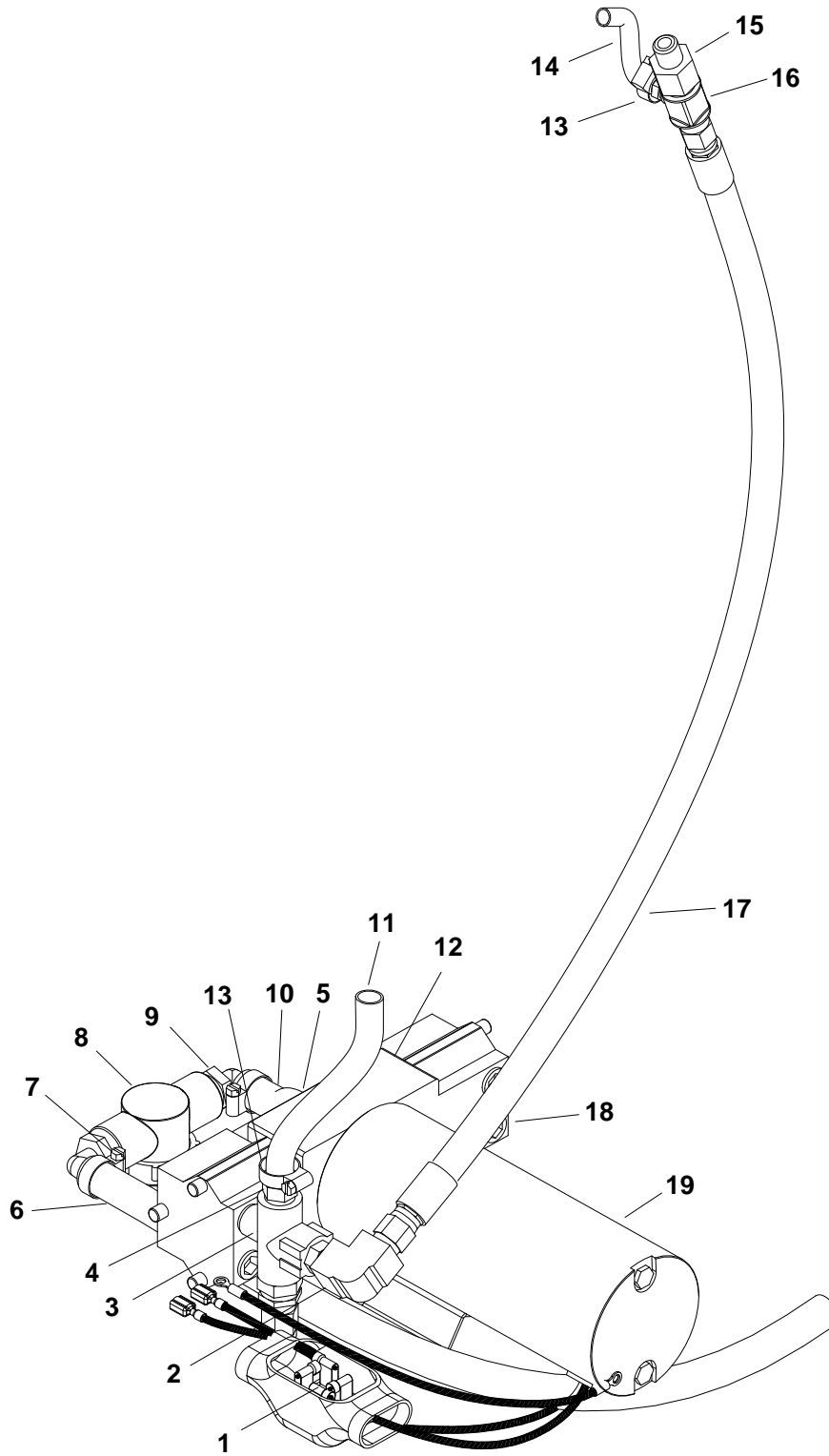
WHEELS & FRAME



WHEELS & FRAME

REF	PART NO.	PRV NO.	QTY	DESCRIPTION	SERIAL NO. FROM	NOTES:
1	86202280	89252	2	WHEEL, 12" BLK CNTRD HUB		
2	86271380	57196	2	NUT, 1/2 PUSH-ON DOME CAP		
3	86010670	87029	18	WASHER, 5/16 FLAT SS		
4	86277040	70781	10	SCR, 5/16-18 X 1/2 HHCS SS NP		
5	86014710	-	1	FRAME, PUMP/WHEEL MNT		
6	86276940	70758	8	SCR, 1/4-20 X 3.5 HHCS SS NP		
7	86232620	18043	2	CASTER, 6" DIA X 4.63 SWIVEL		
8	86078800	620001	1	PLATE, MOUNT CASTER		
9	86270830	57023	8	NUT, 5/16-18 HEX NYLOCK SS		

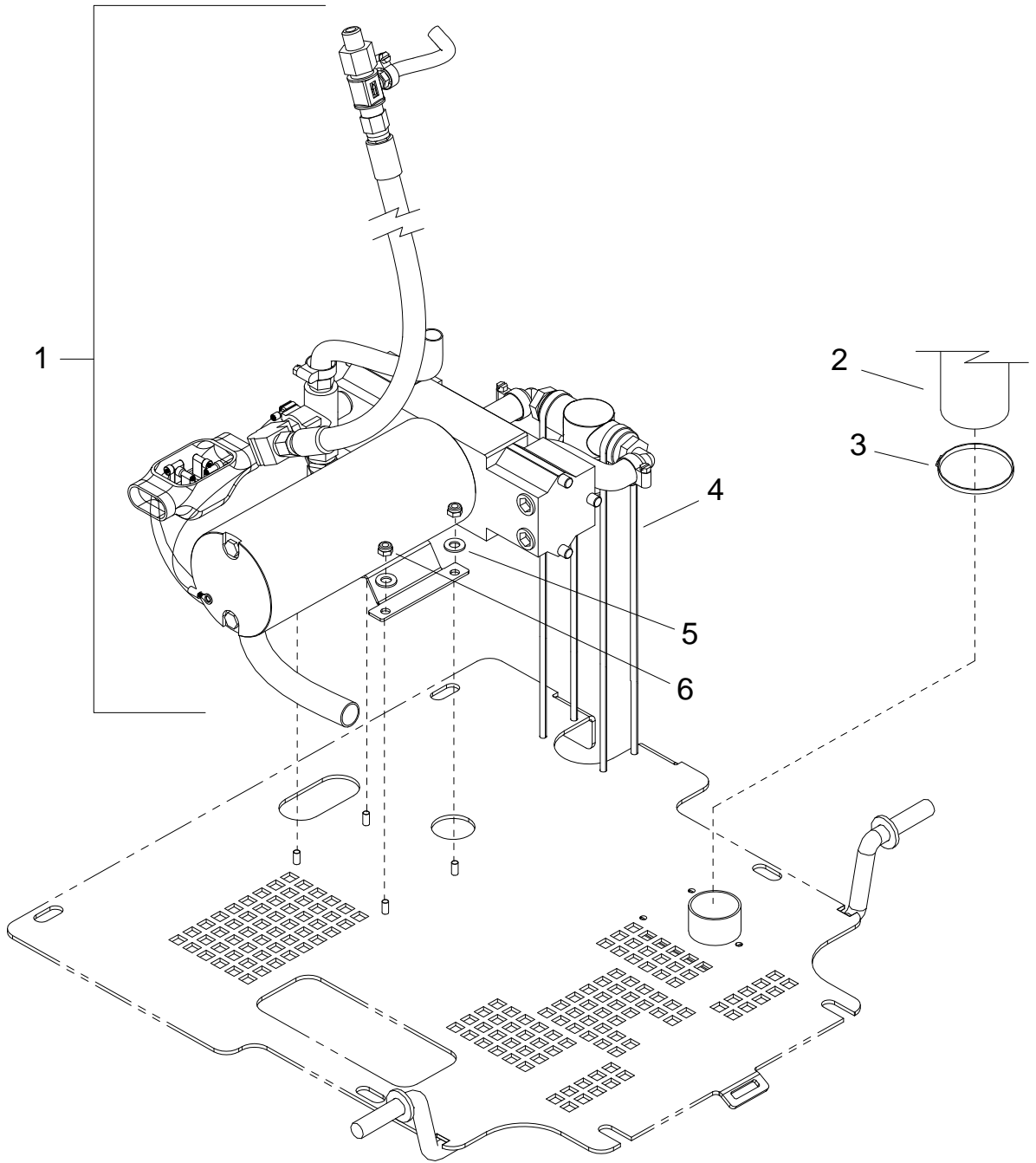
PUMP



PUMP

REF	PART NO.	PRV NO.	QTY	DESCRIPTION	SERIAL NO. FROM	NOTES:
1	86223390	67488	1	RECTIFIER, 50A 600V BRIDGE		
2	86180220	11-800276	1	ELL, 3/8 BR		
3	86290290	-	1	UNLOADER, PMPTC EVK-520-450		
4	86197510	40010	1	HOSEBARB, 3/8MPT X 3/8 BR DL		
5	86197540	40013	1	HOSEBARB, 3/8MPT X 1/2 DL		NOT SHOWN
6	86282270	39631	1	HOSE, 1/2ID WIRE BOUND X 25"		
7	86233150	20042	4	CLAMP, 3/8 HOSE (D-SLOT)		
8	86256090	730262	1	STRAINER, 1/2 FPT 80 MESH		
9	86001530	40039	2	HOSEBARB, 1/2MPT X 1/2 HOSE 90		
10	86281980	39549	1	HOSE, 1/2ID WIRE BOUND X 5"		
11	86281390	39356	1	HOSE, 3/8ID WIRE BOUND X 12"		
12	86290280	-	1	PUMP, PUMPTEC, 500PSI		
13	86233090	20016	2	CLAMP, 1/4 ID HOSE		
14	86281060	39265	1	HOSE, 1/4ID NYLOBRD X 8"		
15	86177610	11-800090	1	CONN, 3/8FP X 1/4P BR		
16	86290310	-	1	INJECTOR, TEE 3/8M X 3/8M 1/4 BR		
17	86290300	-	1	HOSE, PULSE 48" 3/8MPT X 3/8FPT		
18	86190520	11-800224	4	PLUG, 3/8 SOCHD BR		
19	86290270	-	1	MOTOR, 120V CIM-PUMPTEC		

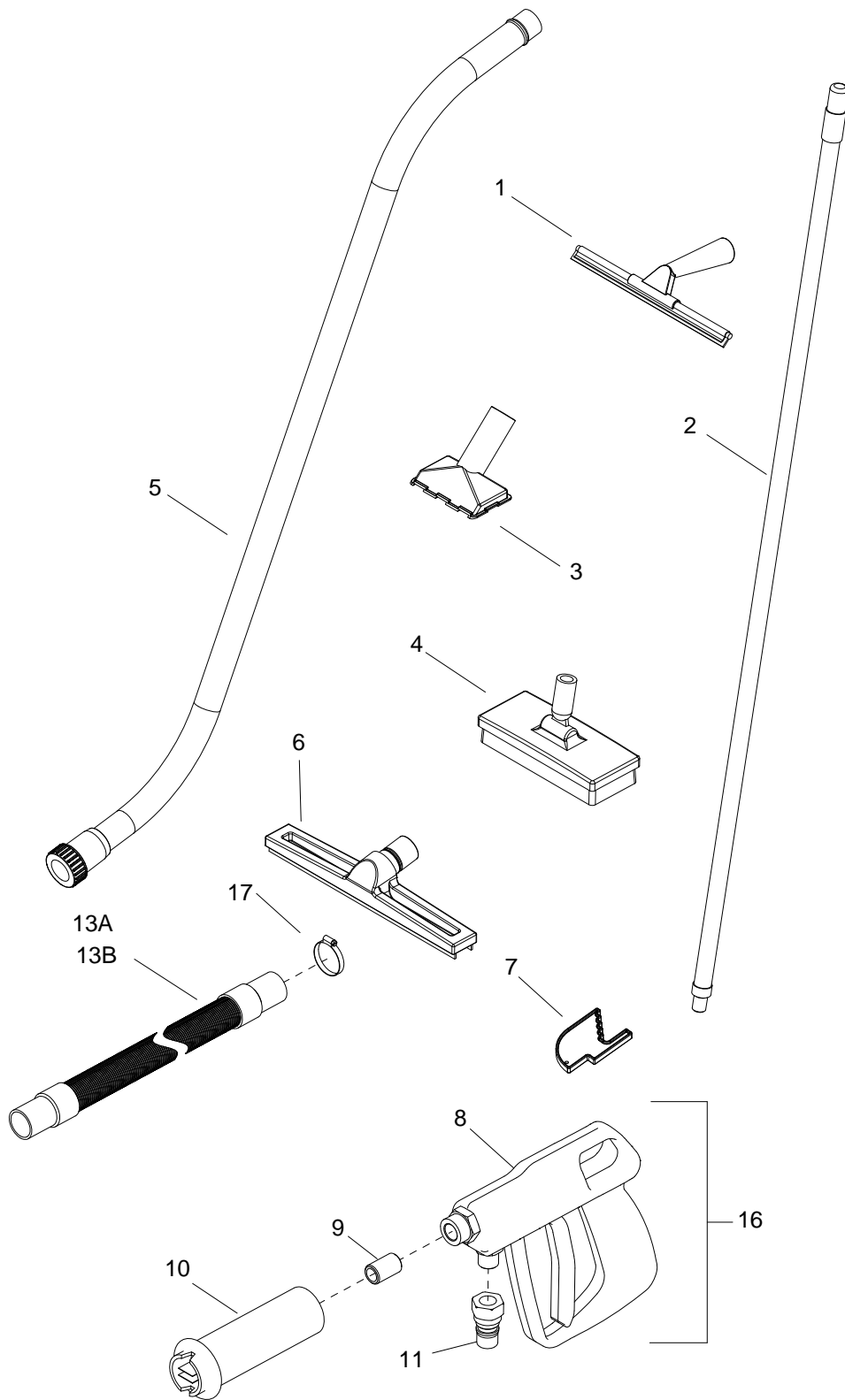
PUMP



PUMP

REF	PART NO.	PRV NO.	QTY	DESCRIPTION	SERIAL NO. FROM	NOTES:
1	86014510	-	1	PUMP ASM, 500 PSI 120V CMPS		COMPLETE ASSEMBLY
2	86004370	39547	1	HOSE ASM, 1.5 BLK VAC X 21		
3	86002390	20063	1	CLAMP, 1.75 WORM GEAR X .312		
4	86264940	27051	2	CABLE TIE, 11.38 UL/CSA		
5	86010650	87018	4	WASHER, #10 X 9/16 OD		
6	86270990	57090	4	NUT, 10-32 HEX NYLOCK SS		

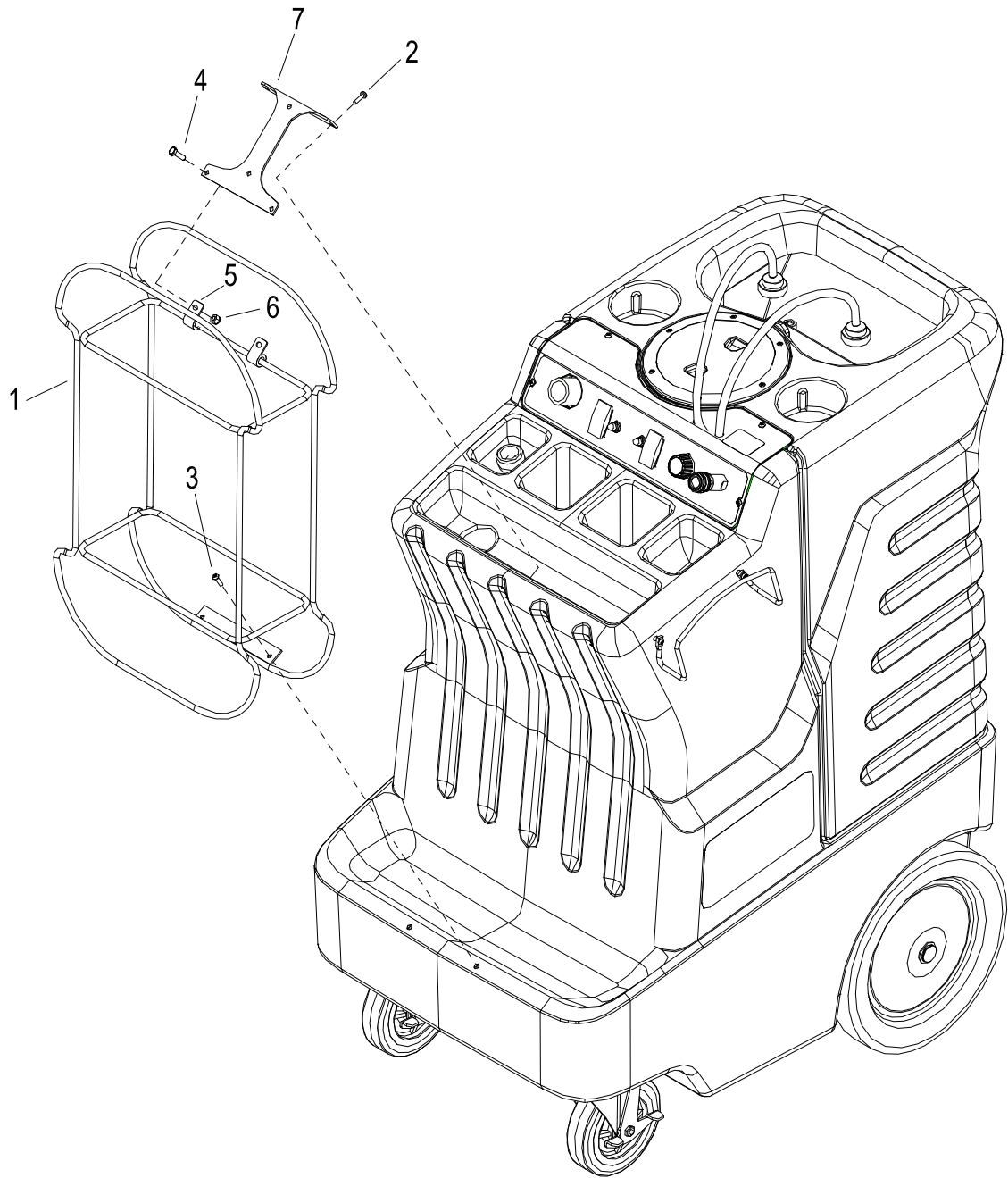
TOOLS - STANDARD



TOOLS - STANDARD

REF	PART NO.	PRV NO.	QTY	DESCRIPTION	SERIAL NO. FROM	NOTES:
1	86257660	02478	1	TOOL, HAND SQUEEGEE		
2	86257650	02477	1	TOOL, SCRUB BRUSH HANDLE		
3	86257640	02475	1	TOOL, GULPER		
4	86257670	02479	1	TOOL, TILE BRUSH		
5	86257680	02480	1	TOOL, ALUMINUM WAND		
6	86257620	02473	1	TOOL, WHEELED SQUEEGEE		
7	86257690	02481	1	TOOL, DOOR WEDGE		
8	86290390	-	1	GUN, PRESSURE WASH		
9	86005590	56014	1	NIPPLE, 1/4 CLOSE		
10	86290400	-	1	NOZZLE, ADJUSTABLE HI-LO		
11	86005580	56012	1	NIPPLE, 1/4 FPT QD		
12	86200350	39578	1	HOSE ASM, 1/4HP SLTN 25 FT		NOT SHOWN
13A	86240180	39637	1	HOSE ASM, 1.5 X 30 FT		
13B	86240250	39703	1	HOSE ASM, 1.5 BLK VAC X 30'		CMPSR ONLY
14	86202160	320-05	1	STRAP, VELCRO		NOT SHOWN
15	86234200	23215	1	CORD SET, 14/3 X 50 FT GFCI YLW		NOT SHOWN
16	86290380	-	-	TOOL, SPRAY GUN ASM		SERVICE ONLY
17	86002400	20064	1	CLAMP, 2.9" WORM GEAR X .312W		
18	86241930	47419	-	KIT, SQUEEGEE TOOL BLADES		SERVICE ONLY
19	86290410	-	-	NOZZLE REPLACEMENT JET		SERVICE ONLY
20	86269560	96V123R	1	COMPASS TRAINING VIDEO		NOT SHOWN

VAC HOSE RACK – CMPSR ONLY



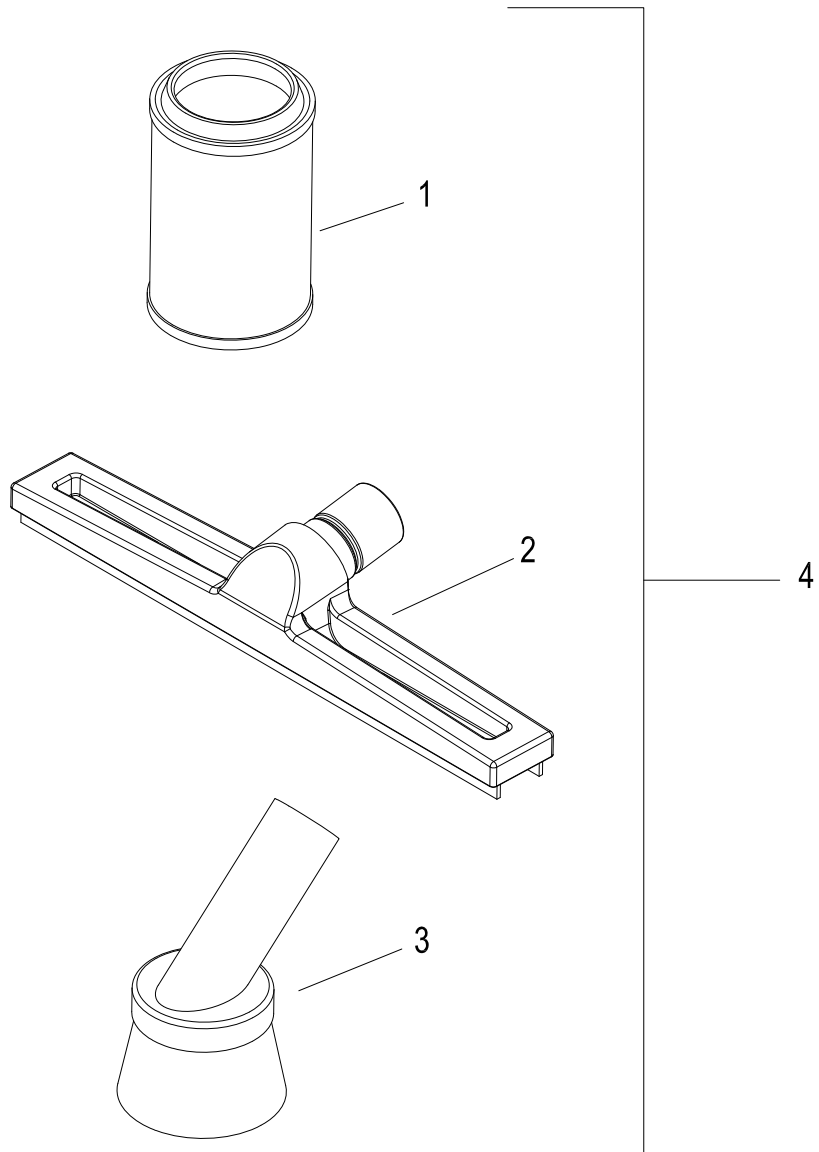
VAC HOSE RACK - CMPSR

REF	PART NO.	PRV NO.	QTY	DESCRIPTION	SERIAL NO. FROM	NOTES:
1	86240630	49499	1	HOSE RACK		
2	86276600	70696	3	SCR, #10 X 3/4 PTHSMS SS		
3	86006590	70088	2	SCR, 10-32 X 1/2 PPHMS SS NP		
4	86275210	70384	2	SCR, 1/4-20 X 1/2 PHTR BLK DL		
5	86270250	03-000133	2	CLAMP, 1/4X1/4 BLT VIN DP		
6	86005680	57047	2	NUT, 1/4-20 HEX NYLOCK		
7	86068180	140710	1	BRACKET, TOP HOSE RACK		

SUGGESTED SPARE PARTS

PART NO.	PRV NO.	DESCRIPTION	SERIAL NO.	NOTES:
86241930	47419	KIT, SQUEEGEE TOOL BLADES		
86256090	730262	STRAINER, 1/2 FPT 80 MESH		
86202070	360-04B	BRUSHES, VAC FOR 116392-00		
86135320	140687	BRUSH SET, 120V VAC WINDSOR		
86028720	53266	VAC MOTOR ASM, 115V W/ TERM		
86002010	14942	BOOT, 3/8 CIRCUIT BREAKER		
86230210	14832	BREAKER, 6A VDE CIRCUIT		
86001940	14635	BREAKER, 10A CIRCUIT		
86241930	47419	KIT, SQUEEGEE TOOL BLADES		
86290270	-	MOTOR, 120V CIM-PUMPTEC		
86290280	-	PUMP, PUMPTEC, 500PSI		
86290390	-	GUN, PRESSURE WASH PMPTC		
86290400	-	NOZZLE, ADJUSTABLE HI-LO PMPTC		
86290410	-	NOZZLE, REPLACEMENT JET PMPTC		

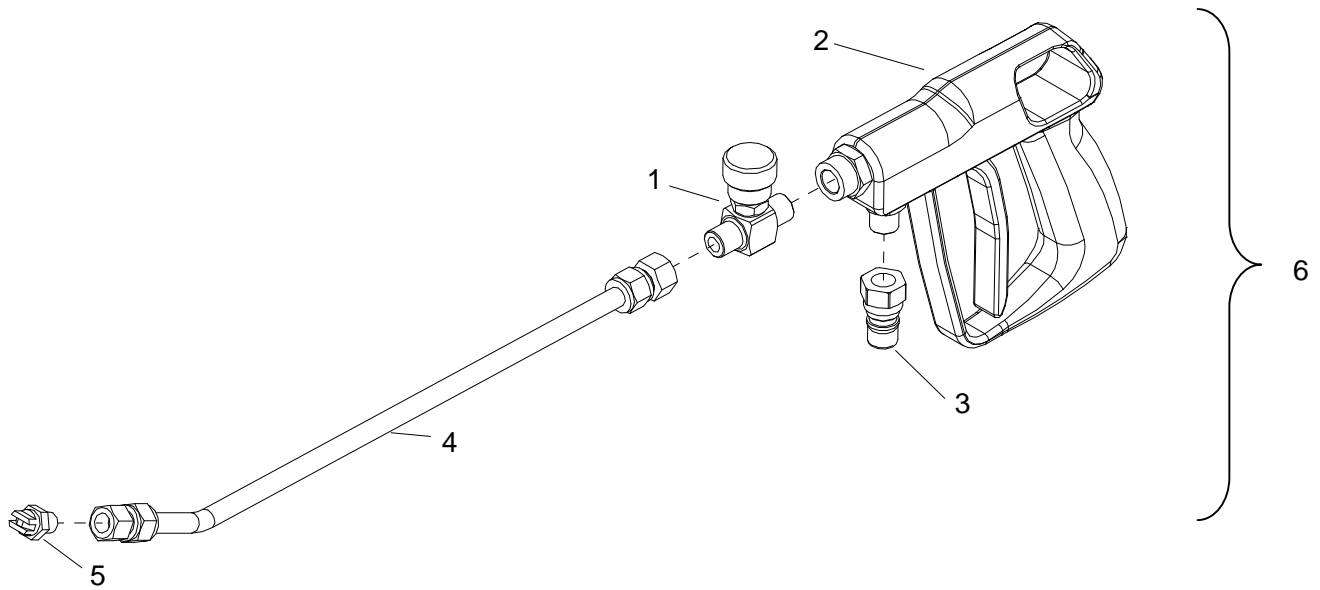
TOOLS- DRY CLEAN OPTION



TOOLS – DRY CLEAN OPTION

REF	PART NO.	PRV NO.	QTY	DESCRIPTION	SERIAL NO. FROM	NOTES:
1	86236130	34410	1	FILTER, WET/DRY		
2	86257630	02474	1	TOOL, WHEELED BRUSH		
3	86257700	02485	1	TOOL, DUST BRUSH		
4	86286550	47422	REF	KIT, DRY CLEAN		

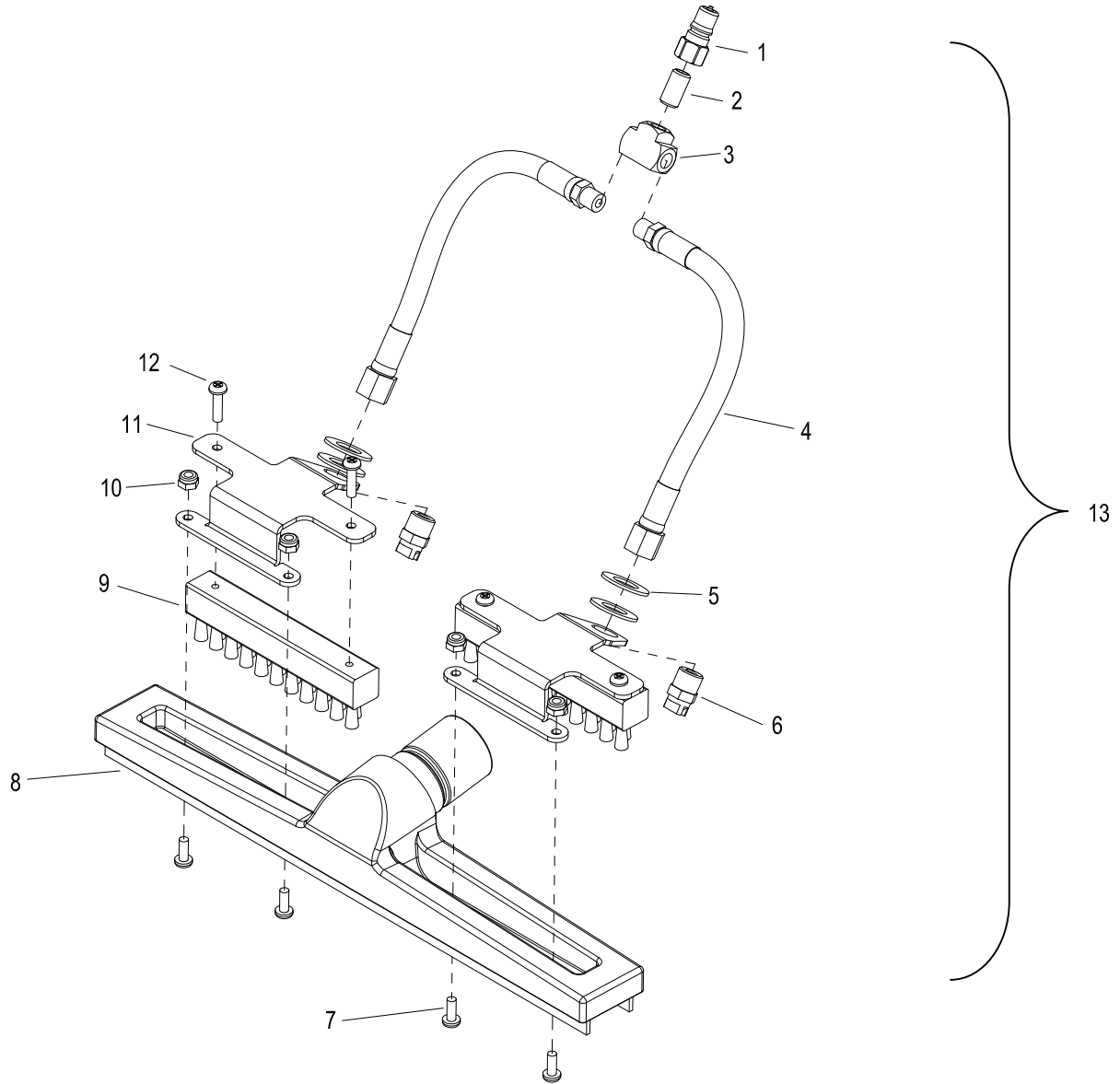
TOOLS- LOW FLOW SPRAY GUN OPTION



TOOLS – LOW FLOW SPRAY GUN OPTION

REF	PART NO.	PRV NO.	QTY	DESCRIPTION	SERIAL NO. FROM	NOTES:
1	86258920	84186	1	VALVE, FLOW ADJUSTMENT		
2	86290390		1	GUN, PRESSURE WASH		
3	86005580	56012	1	NIPPLE, 1/4 FPT QD		
4	86246040	51389	1	LANCE, SPRAY GUN		
5	86241690	44078	1	JET, 1/ H-VV 8003		
6	86041290	47427	REF	KIT, LOW FLOW SPRAY GUN		

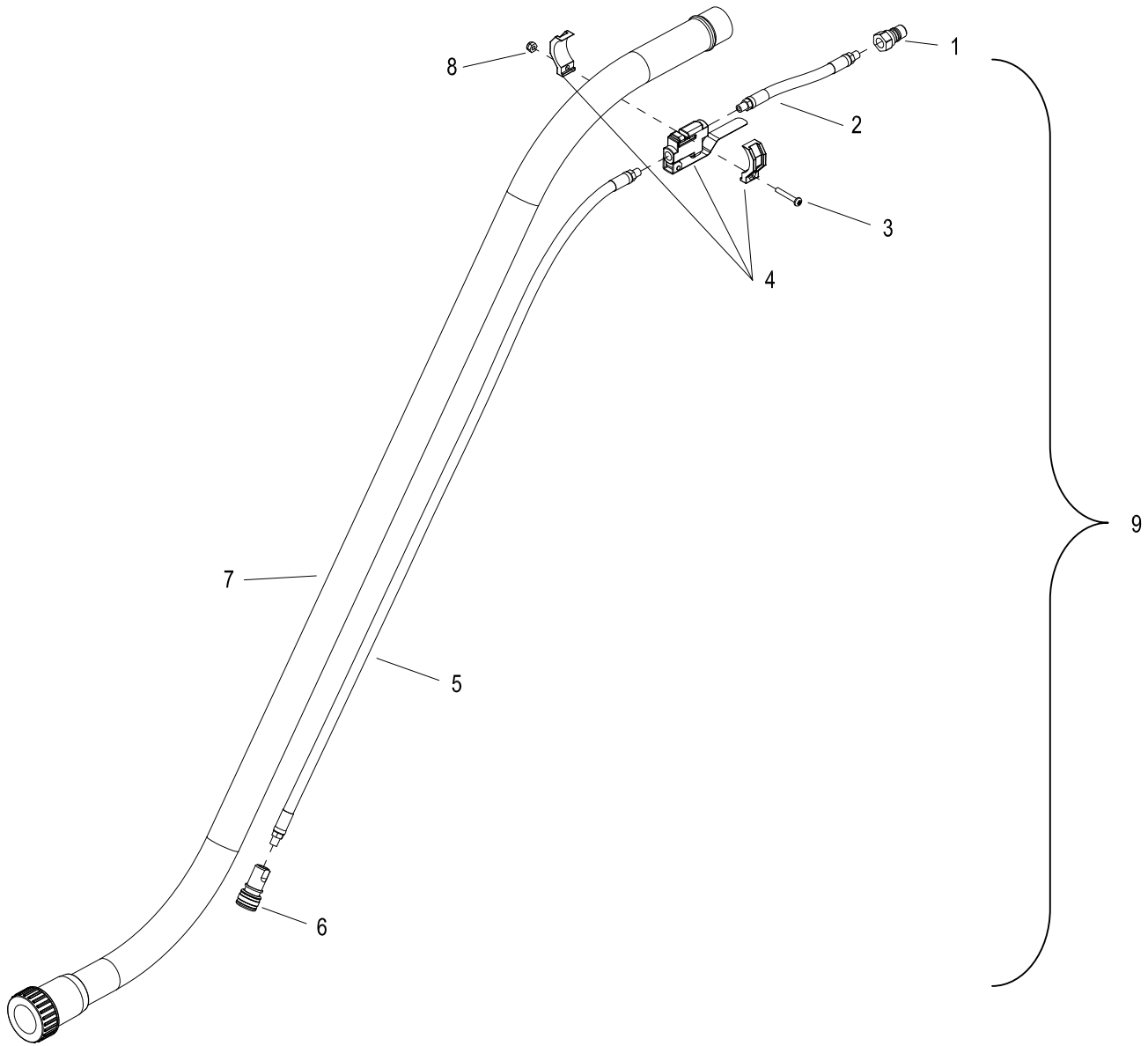
TOOLS- GROUT CLEANER OPTION



TOOLS – GROUT CLEANER OPTION

REF	PART NO.	PRV NO.	QTY	DESCRIPTION	SERIAL NO. FROM	NOTES:
1	86200820	270-11A	1	NIPPLE, 1/8 FPT QD MALE BRASS		
2	86247720	56032	1	NIPPLE, 1/8 CLOSE		
3	86194160	11-800133	1	TEE, 1/8 BR		
4	86240190	39639	2	HOSE, 1/8 MPT X 1/4 FPT X 12L		
5	86090230	87015	4	WASHER, 9/16 ID X 1.06 OD SS		
6	86241700	44079	2	JET, 1/4 MEG 15015		
7	86006590	70088	4	SCR, 10-32 X 1/2 PPHMS SS NP		
8	86088740	02476	1	TOOL, GROUT CLEANER		
9	86230820	140653	2	BRUSH, FLOOR TOOL		
10	86270990	57090	4	NUT, 10-32 HEX NYLOCK SS		
11	86070460	140652	2	BRKT, BRUSH MOUNT		
12	86276290	70626	4	SCR, #10 X 3/4 PPHST HI-LO BLK		
13	86000480	47431	REF	KIT, GROUT CLEANER		

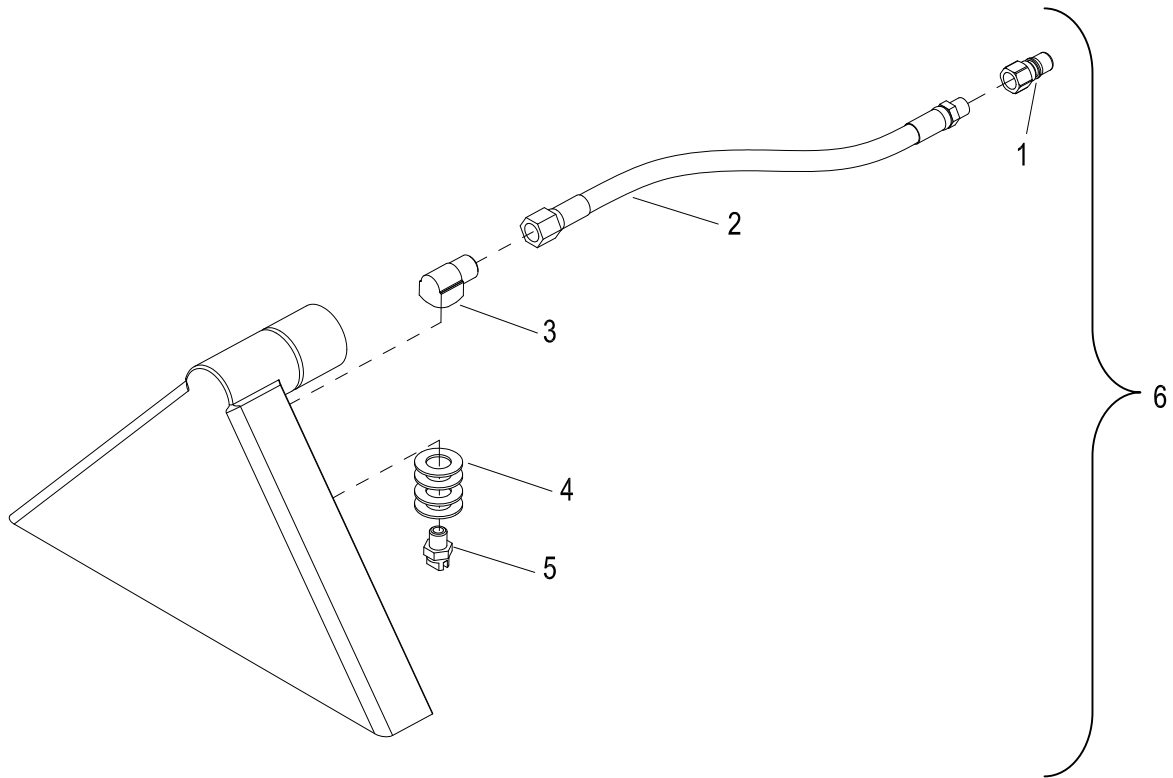
TOOLS- HIGH PRESSURE WAND OPTION



TOOLS – HIGH PRESSURE WAND OPTION

REF	PART NO.	PRV NO.	QTY	DESCRIPTION	SERIAL NO. FROM	NOTES:
1	86005580	56012	1	NIPPLE, 1/4 FPT QD		
2	86240210	39641	1	HOSE, 1/8 MPT X 1/4 MPT X 7 L		
3	86274410	70195	1	SCR, 10-32 X 1.25 PPHMS SS		
4	86258950	84189	1	VALVE, 500 PSI W/ CLAMP		
5	86240200	39640	1	HOSE, 1/8 MPT X 1/8 MPT X 38L		
6	86200810	270-11	1	NIPPLE, 1/8 FPT QD FEM BRASS		
7	86257680	02480	1	TOOL, ALUMINUM WAND		
8	86270990	57090	1	NUT, 10-32 HEX NYLOCK SS		
9	86041300	47432	REF	KIT, HIGH PRESSURE WAND		

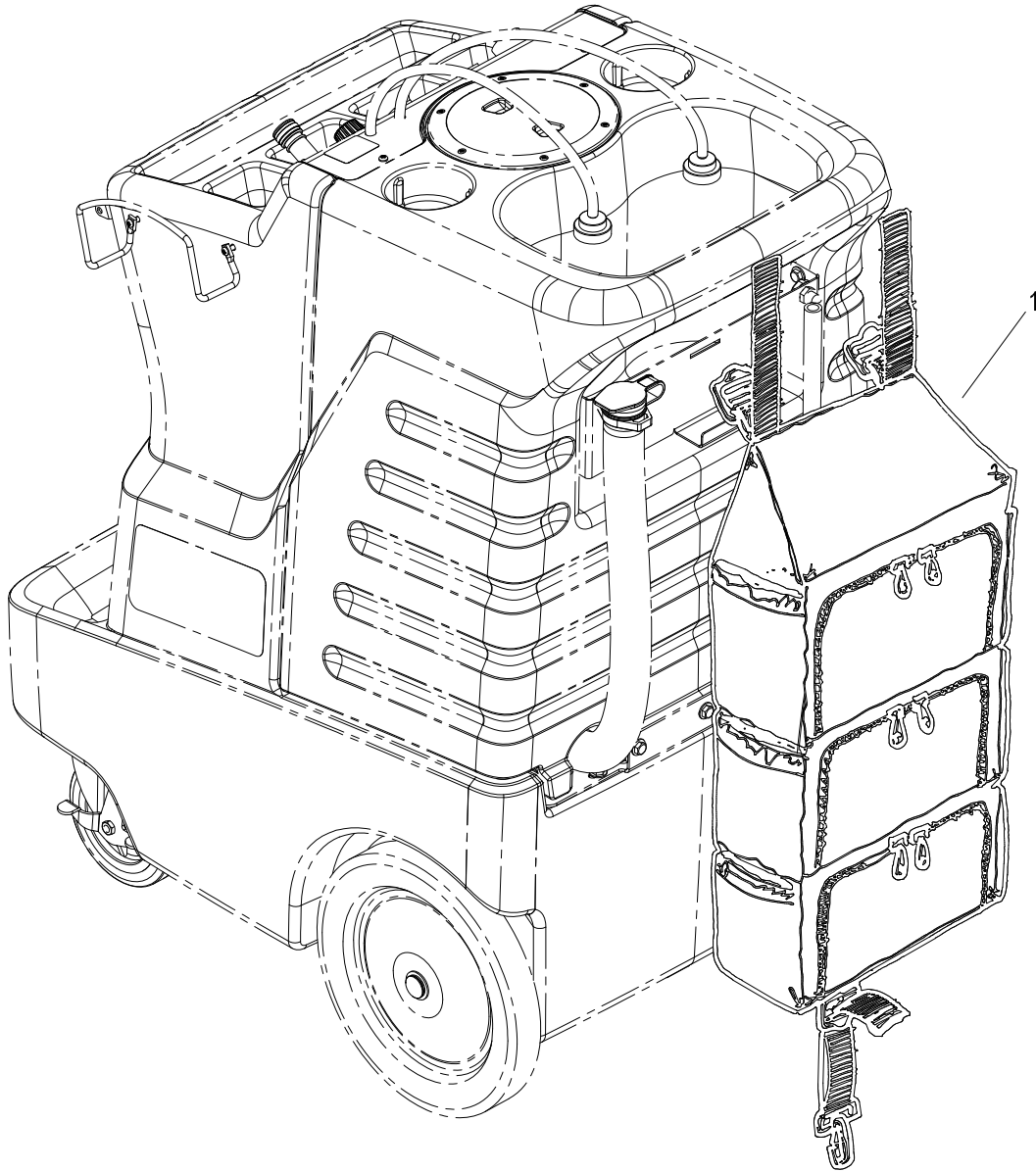
TOOLS- CARPET TOOL OPTION



TOOLS – CARPET TOOL OPTION

REF	PART NO.	PRV NO.	QTY	DESCRIPTION	SERIAL NO. FROM	NOTES:
1	86200820	270-11A	1	NIPPLE, 1/8 FPT QD MALE BRASS		
2	86240220	39642	1	HOSE, 1/8 MPT X 1/4 FPT X 12L		
3	86197360	31016	1	ELBOW, 1/4 NPT STREET		
4	86090230	87015	4	WASHER, 9/16 ID X 1.06 OD SS		
5	86241710	44080	1	JET, 1/4 H-VV 11003		
6	86284550	02484	-	TOOL, CARPET CLEANER		SERVICE ONLY

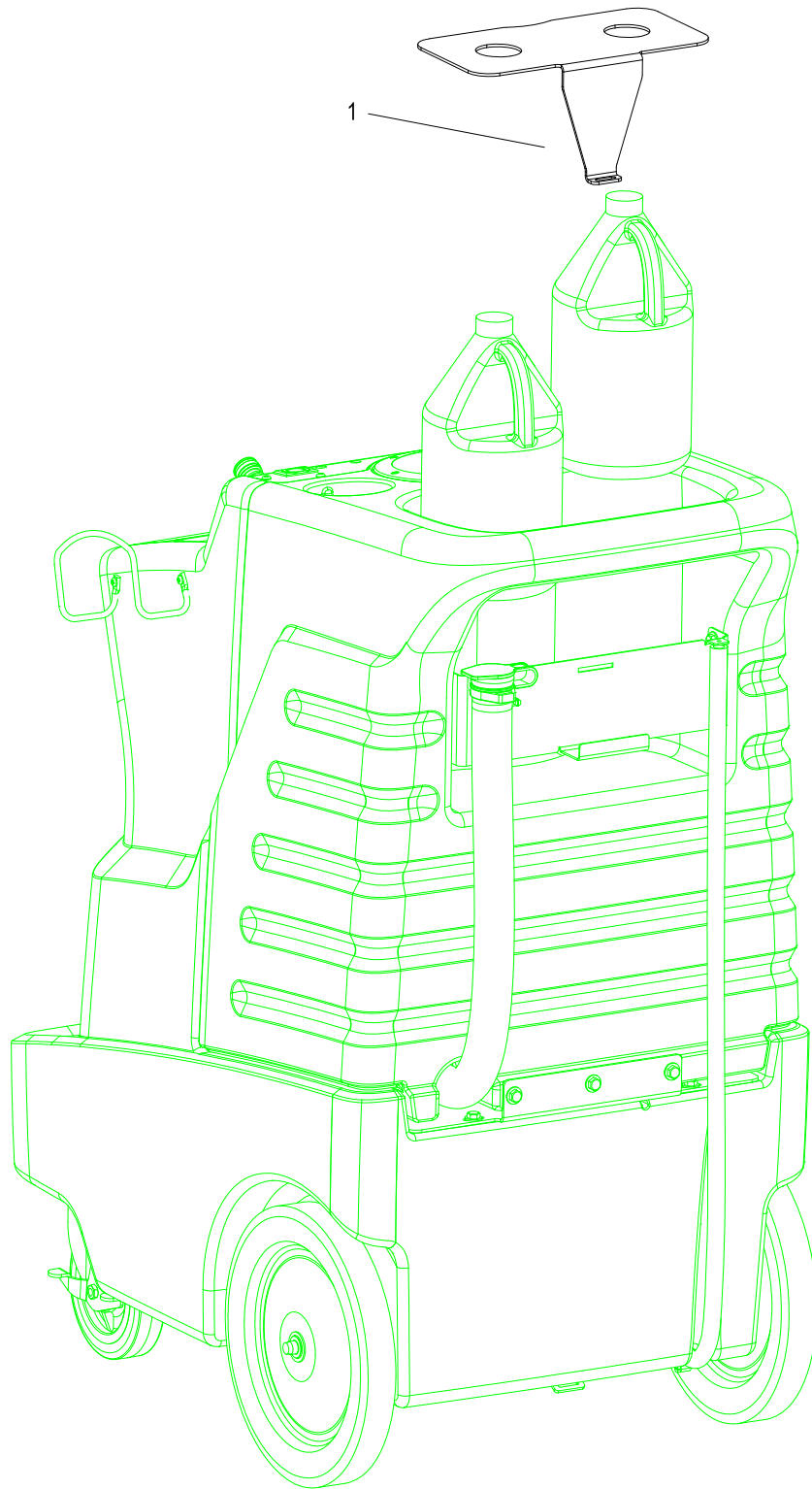
STORAGE BAG-OPTION



STORAGE BAG-OPTION

REF	PART NO.	PRV NO.	QTY	DESCRIPTION	SERIAL NO. FROM	NOTES:
1	86283390	47423	1	KIT, STORAGE BAG		

CHEMICAL LOCK-OPTION



CHEMICAL LOCK-OPTION

REF	PART NO.	PRV NO.	QTY	DESCRIPTION	SERIAL NO. FROM	NOTES:
1	86070520	140660	1	BRKT, CHEMICAL LOCK		

NOTES