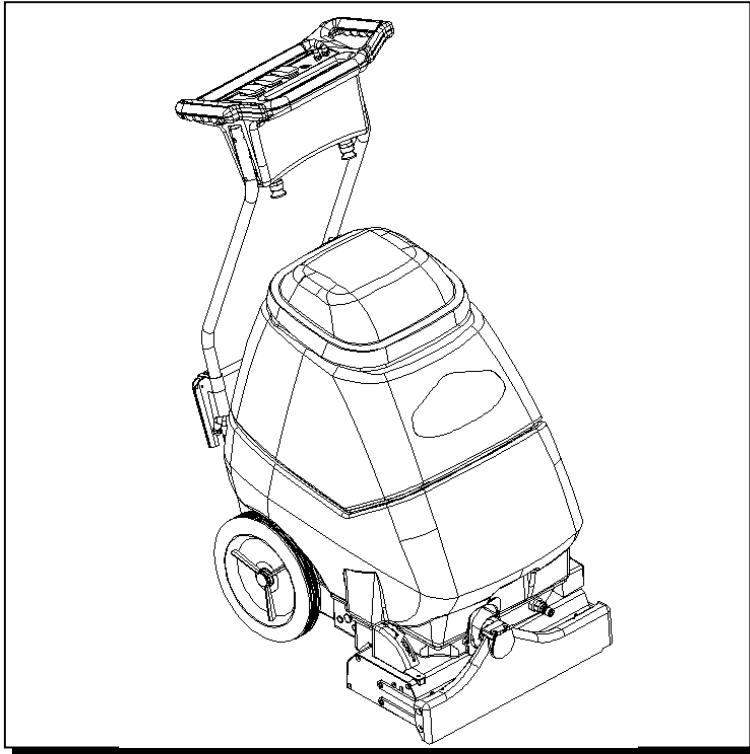


ADMIRAL™



CARPET EXTRACTOR



Operating Instructions (GB/USA)
Manuel d'utilisation (FRE)
Bedienungsanleitung (GER)

<u>MODEL:</u>	<u>COUNTRY</u>
ADM8IA - 10080010	AUSTRALIA
ADM8IB - 10080020	BRITIAN
ADM8IE - 10080030	EUROPE
ADM8IS - 10080040	SWITZERLAND

QUEST® ... for Continuous Improvement.
Windsor's Quality Management System is Certified ISO 9001.



*Read these instructions before operating the machine
Lire ce manuel avant d'utiliser la machine
Bitte lesen Sie diese Anleitungen, bevor Sie die Maschine in Gebrauch nehmen*



TABLE OF CONTENTS

MODEL	_____
DATE OF PURCHASE	_____
SERIAL NUMBER	_____
SALES REPRESENTATIVE #	_____
DEALER NAME	_____

<i>Data Log/Table of Contents</i>	1	<i>Maintenance</i>	15-17
<i>Safety Instructions</i>	2	<i>Technical Specifications</i>	18
<i>Controls</i>	3-5	<i>Parts Lists</i>	19-34
<i>Operations</i>	6-11	<i>Spare Parts/Notes</i>	35
<i>Troubleshooting</i>	12	<i>EC Declaration of Conformity</i>	36
<i>Blank Page</i>	13		
<i>Wiring Diagram</i>	14		

INSPECTION

Carefully unpack and inspect your machine for shipping damage. Each unit is operated and thoroughly inspected before shipping, and any damage is the responsibility of the carrier, who should be notified immediately.

IMPORTANT SAFETY INSTRUCTIONS

When using an electrical appliance, basic precaution must always be followed, including the following:

READ ALL INSTRUCTIONS BEFORE USING THIS MACHINE.

This machine is for commercial use.



To reduce the risk of fire, electric shock, or injury:

Connect to a **properly grounded outlet**.

Do not leave the machine unattended. Unplug machine from outlet when not in use and before maintenance or service.

Use only indoors. Do not use outdoors or expose to rain.

Do not allow machine to be used as a toy. **Close attention** is necessary when used by or near children.

Use only as described in this manual. Use only manufacturer's recommended components and attachments.

Do not use damaged electrical cord or plug. Follow all instructions in this manual concerning grounding the machine. If the machine is **not working properly**, has been dropped, damaged, left outdoors, or dropped into water, return it to an authorized service center.

Do not pull or carry machine by electrical cord, use as a handle, close a door on cord, or pull cord around sharp edges or corners.

Do not run machine over cord. **Keep** cord away from heated surfaces.

Do not unplug machine by pulling on cord. To unplug, grasp the electrical plug, not the electrical cord.

Do not handle the electrical plug or machine with wet hands.

Do not operate the machine with any openings blocked. Keep openings free of debris that may reduce airflow.

This machine is intended for cleaning carpet only.

Do not vacuum anything that is burning or smoking, such as cigarettes, matches, or hot ashes.

This machine is not suitable for picking up health endangering dust.

Turn off all controls before unplugging.

Machine can cause a fire when operating near flammable vapors or materials. Do not operate this machine near flammable fluids, dust or vapors.

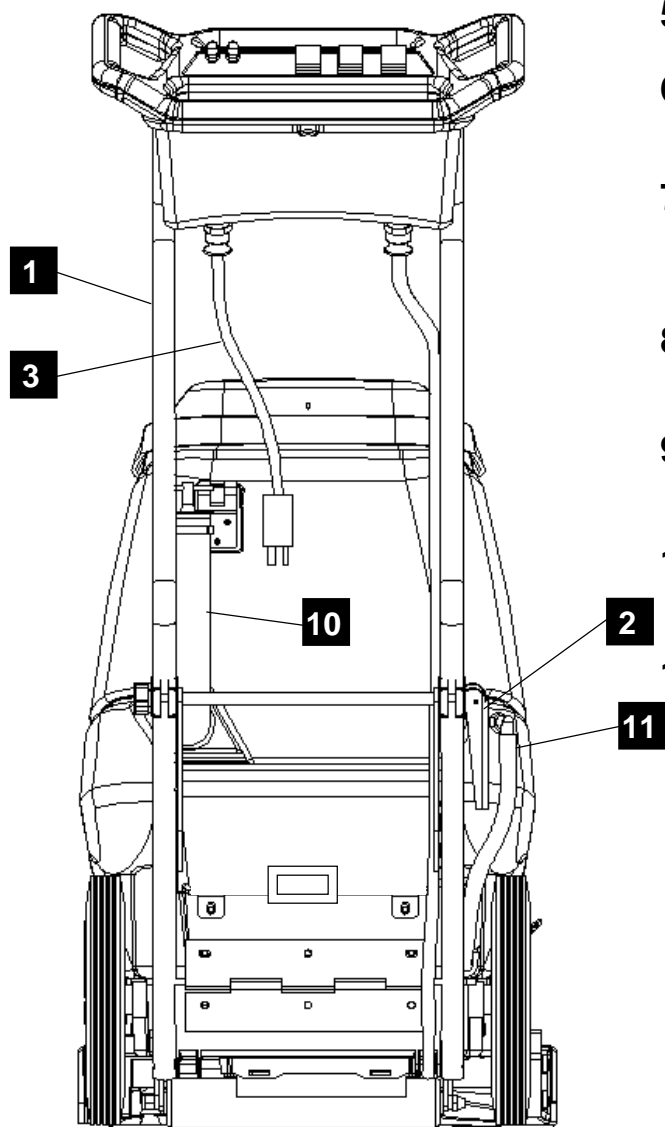
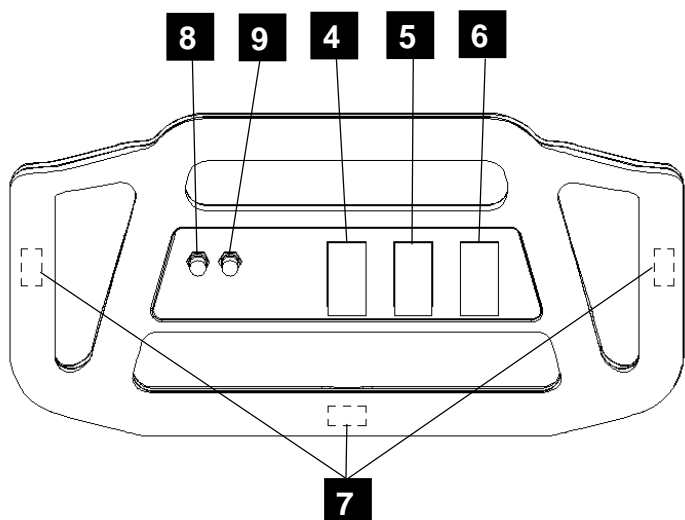
This machine is suitable for commercial use, for example in hotels, schools, hospitals, factories, shops and offices for more than normal housekeeping purposes.

Maintenance and repairs must be done by qualified personnel.

If foam or liquid comes out of machine, switch off immediately.

SAVE THESE INSTRUCTIONS

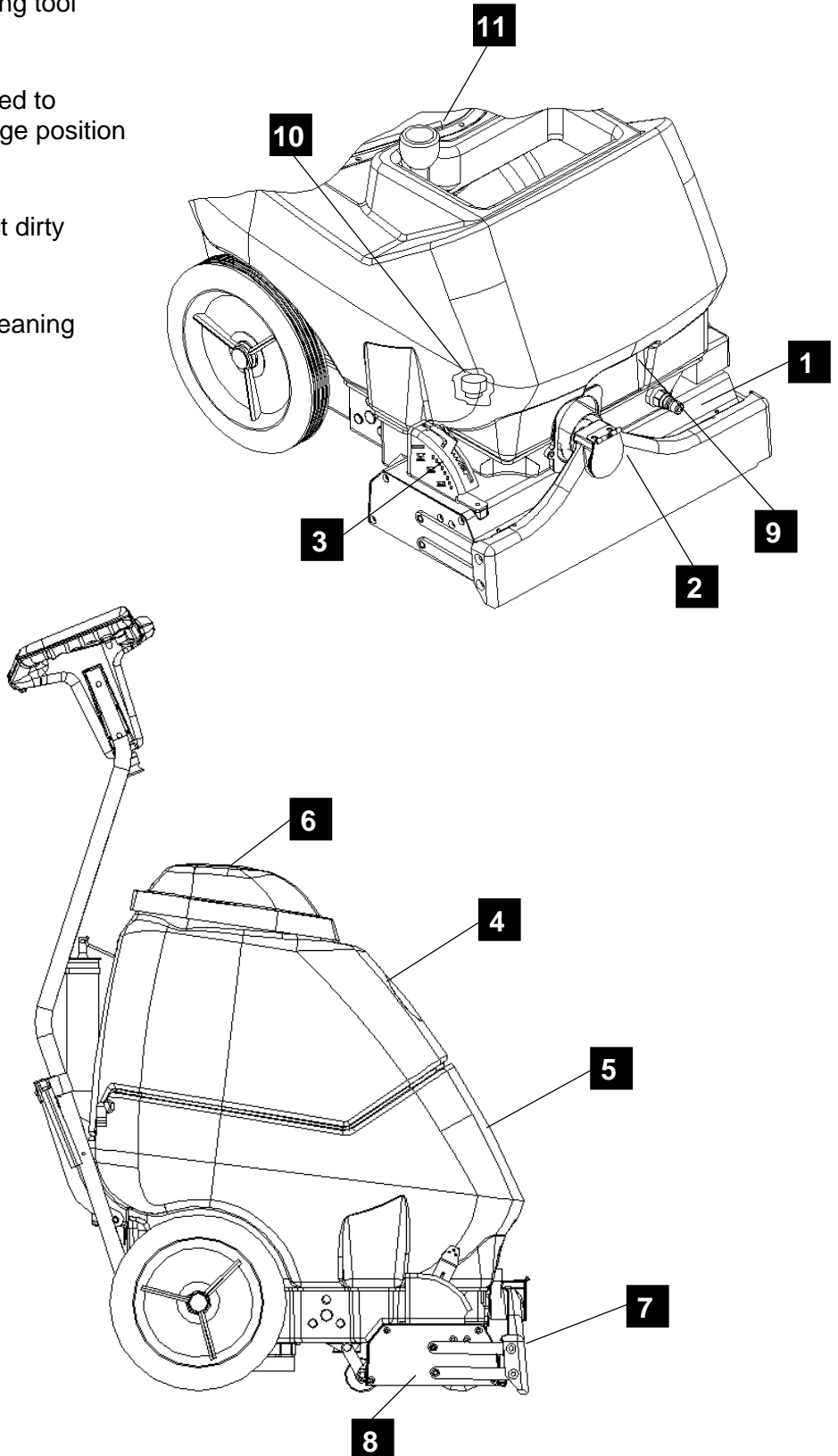
CONTROLS/COMPONENT LOCATIONS



1. **Main Handle.** Used to pull and maneuver machine.
2. **Handle Adjustment.** Used to adjust height of handle.
3. **Electrical Cord.**
4. **Solution Switch.** Turns on pump. Continuous position (bottom) activates electro-valve to dispense solution to floor through jets. Intermittent position (up) requires operator to depress 1 of 3 trigger switches to dispense solution. Center position is off.
5. **Brush Motor Switch.** Turns on brush motor.
6. **Vacuum Motor Switch.** Turns on vacuum motor.
7. **Trigger Switches.** Activates electro-valve to dispense solution to floor through jets when solution switch is in the intermittent position.
8. **Brush Motor Circuit Breaker.** 4 amp. Breaker protecting brush motor.
9. **Vacuum Motor Circuit Breaker.** 7 amp. Breaker protecting vacuum motor.
10. **Recovery Dump Hose.** Facilitates draining dirty cleaning solution.
11. **Solution Dump Hose.** Facilitates draining excess cleaning solution from solution tank.

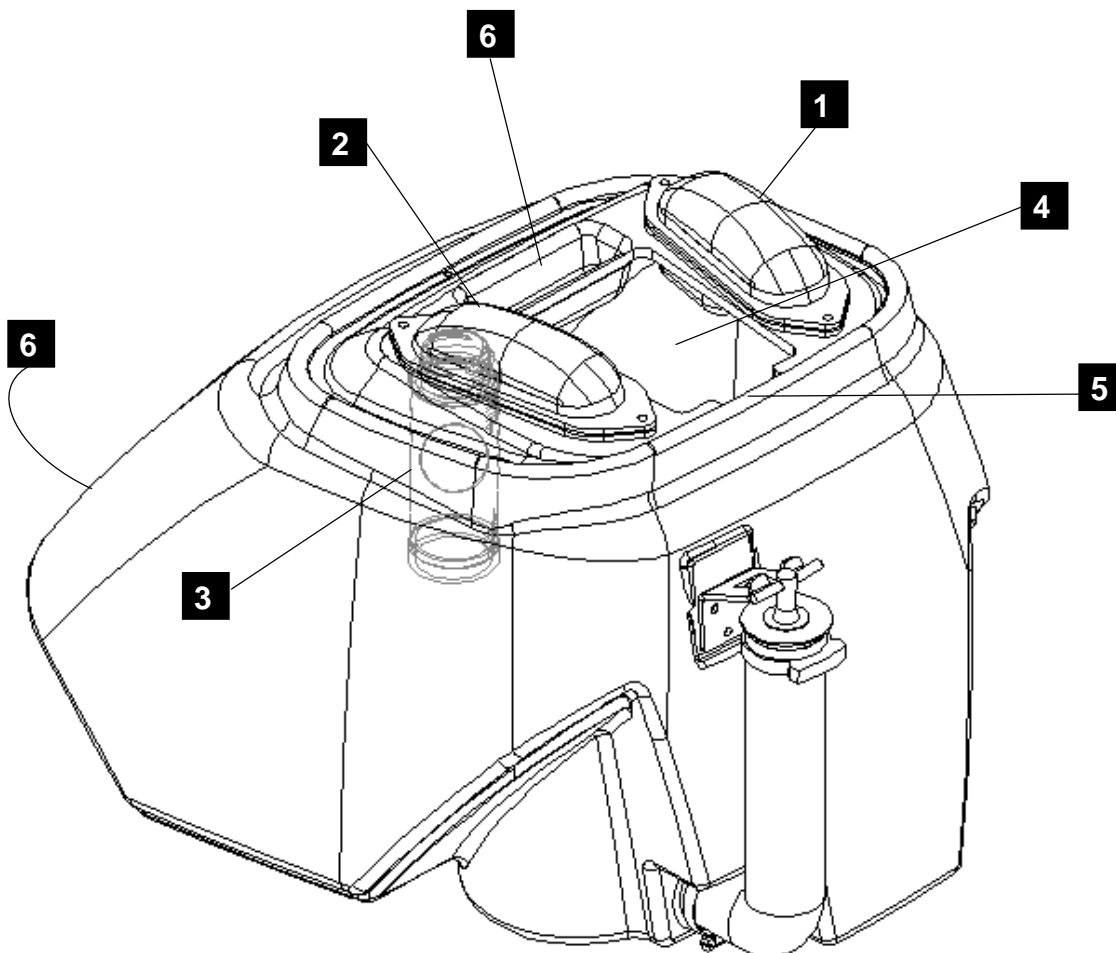
CONTROLS/COMPONENT LOCATIONS

1. **Solution Accessory Tool Hookup.** Used for various auxiliary cleaning tools.
2. **Vacuum Hose Door.** Used to connect various auxiliary 1 ½ inch cleaning tool vacuum hoses.
3. **Brush Height Adjustment.** Used to regulate brush height from storage position to various carpet heights.
4. **Recovery Tank.** Used to collect dirty cleaning solution.
5. **Solution Tank.** Used to hold cleaning solution.
6. **Recovery Tank Dome.**
7. **Vacuum Shoe.**
8. **Brush Housing.**
9. **Front Lifting Handle.**
10. **Cleaning Solution Filter.**
11. **Solution Tank Fill Hose.**

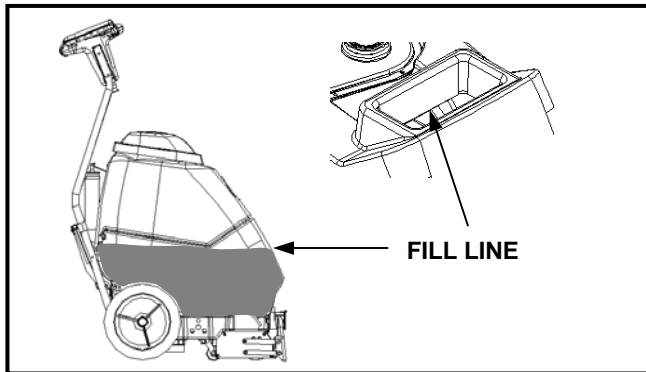
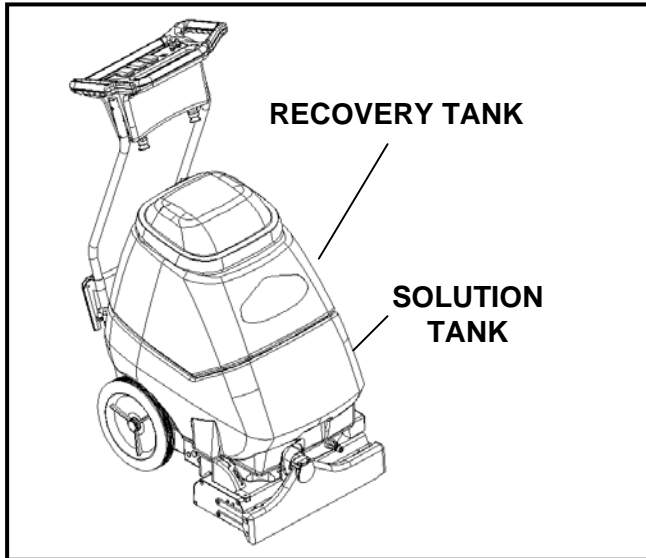


CONTROLS/COMPONENT LOCATIONS

- 1. Solution Intake Cover.**
- 2. Vacuum Intake Cover.**
- 3. Float Shut-Off.**
- 4. Clean-Out Opening.**
- 5. Pour Spout.**
- 6. Lift Handle.**



FILLING OPERATIONS



FILLING THE ADMIRAL

NOTE: Use clean bucket of water to fill solution tank

Do not put defoamer, solvents, spotter or prespray chemicals in the solution tank.

Do not allow water to spill into vacuum motor inlet. Dry spillage from top of solution tank before replacing recovery tank.

CHEMICALS

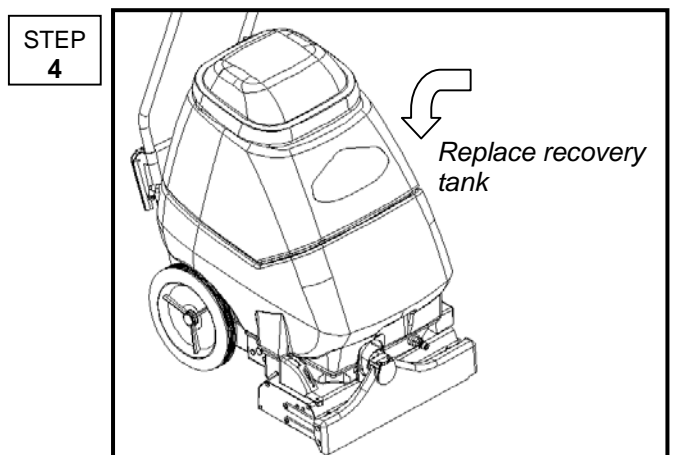
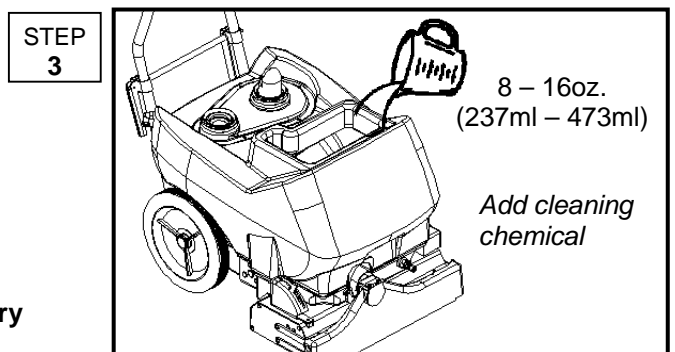
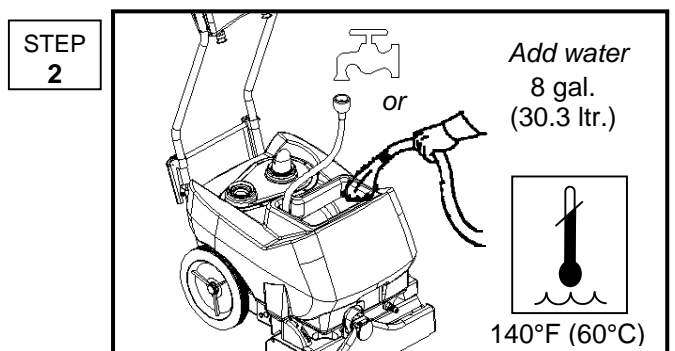
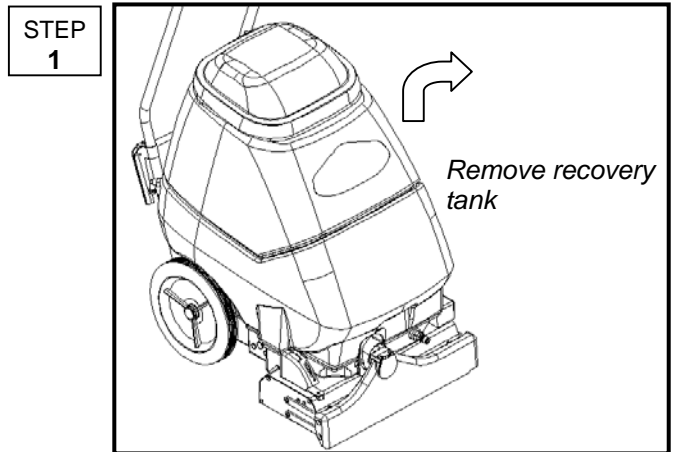
Suitable Chemicals

Alkalis
Detergents
Hydroxides
Soaps
Vinegar

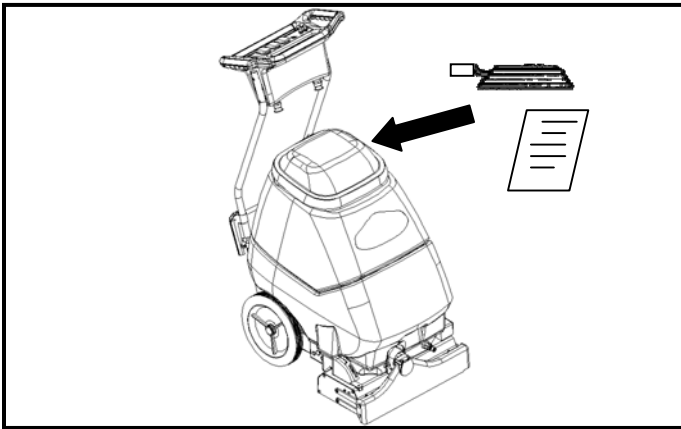
Non-Compatible Chemicals

Aldehydes
Aromatic Hydrocarbons
SP Butyls
Carbon Tetrachloride
Clorox*
Chlorinated Bleaches
Chlorinated Hydrocarbons
Lysol*
Methyl Ethel Ketone (MEK)
Perchorethylene (perc)
Phenolics
Trichlorethylene
D-Limonene

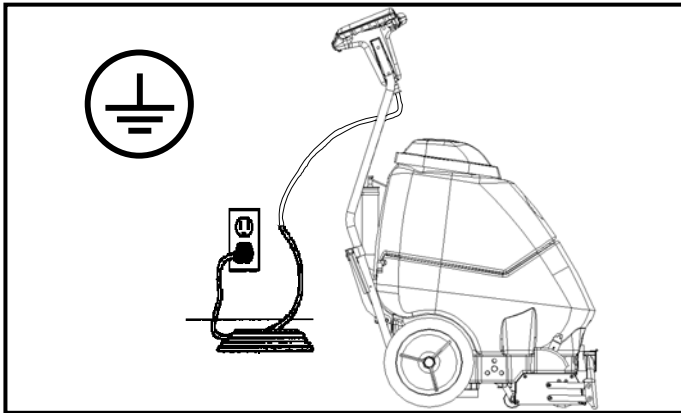
* Product Trademark Names



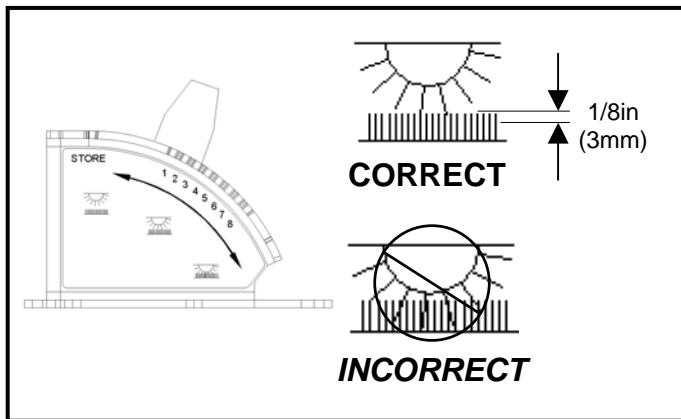
OPERATIONS



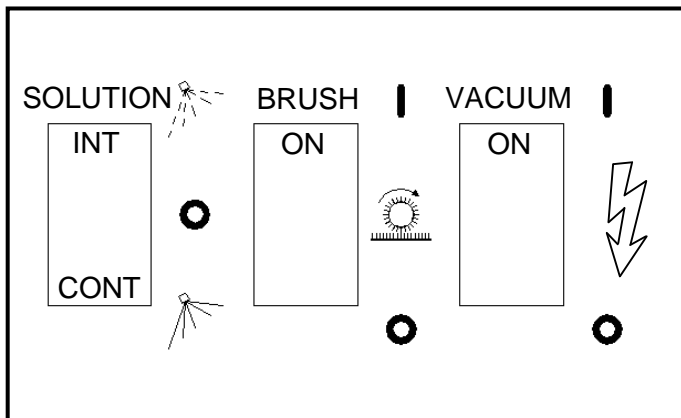
STEP 1 Remove electrical cord and literature from recovery tank. Fill solution tank (see filling instructions page 6).



STEP 2 Plug cord into grounded outlet. *Note: Be sure dome is seated on recovery tank, and float shut-off is installed correctly.*



STEP 3 Adjust brush to proper setting. *Note: For good operation the brush must skim the carpet. If circuit breaker trips raise brush to prevent damage to motor or carpet.*

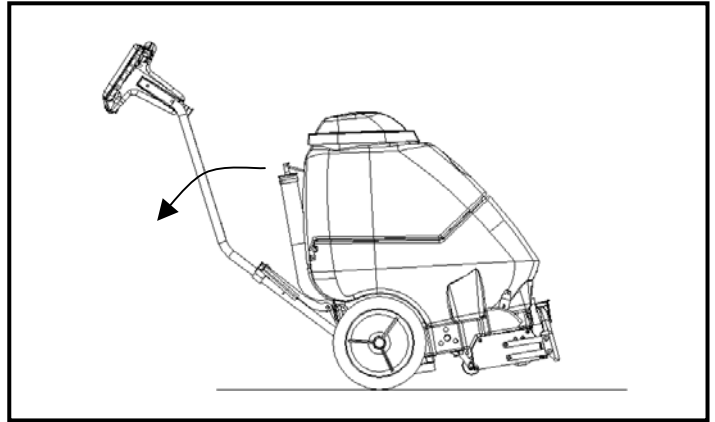


STEP 4 Turn on brush and vacuum motor switches ("ON"="I"). Turn on solution switch for continuous spray or set switch to intermittent to allow use of trigger switches.

OPERATIONS

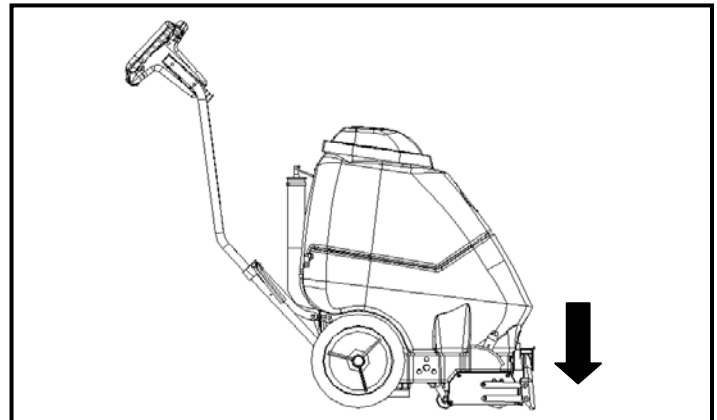
Adjust handle to comfortable operating position. Tip machine back by main handle to move to starting point.

STEP
5



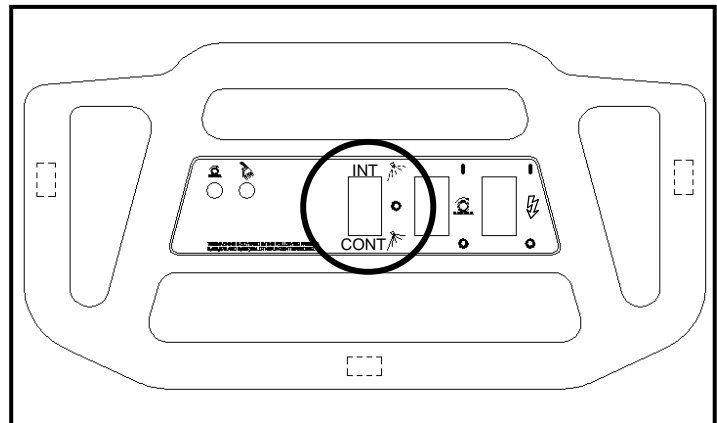
Lower machine to floor.

STEP
6

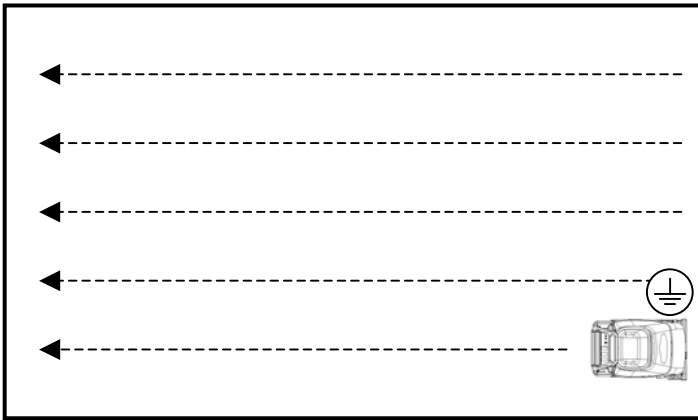


Select continuous setting to start solution spray or select intermittent setting to enable use of trigger switches to start solution spray. The intermittent setting requires the operator to hold any one of the three trigger switches in the “on” position with the fingers, and is typically used in small areas where short cleaning passes are made. The continuous setting allows the operator to set the switch in the “on” position with one touch, and is typically used in large areas where long cleaning passes are made.

STEP
7

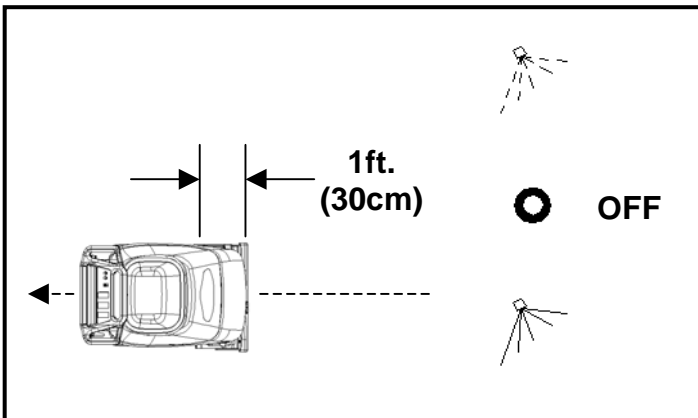


CLEANING PROCEDURE



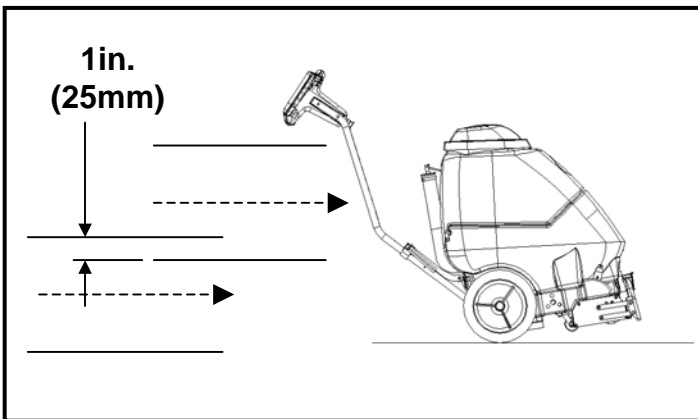
STEP
1

Start at wall closest to power outlet. Pull straight back without pushing down on handle.



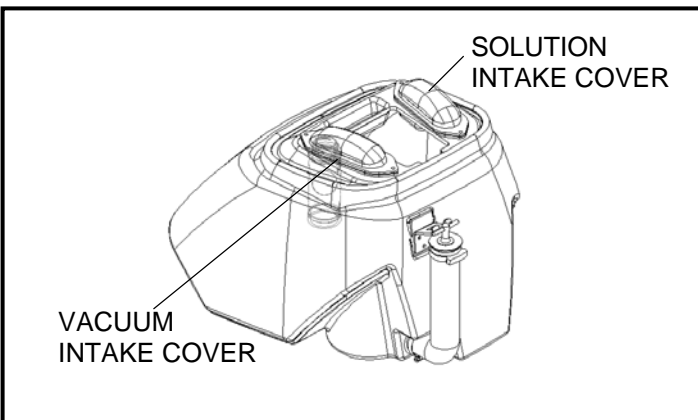
STEP
2

Release intermittent trigger switches or turn off continuous setting on solution switch approximately 1 foot before ending cleaning pass.



STEP
3

Push down on handle to raise vacuum shoe and brush before moving to the next cleaning pass. Overlap brush contact area a minimum of 1 inch on the right (close cleaning) side of machine.



STEP
4

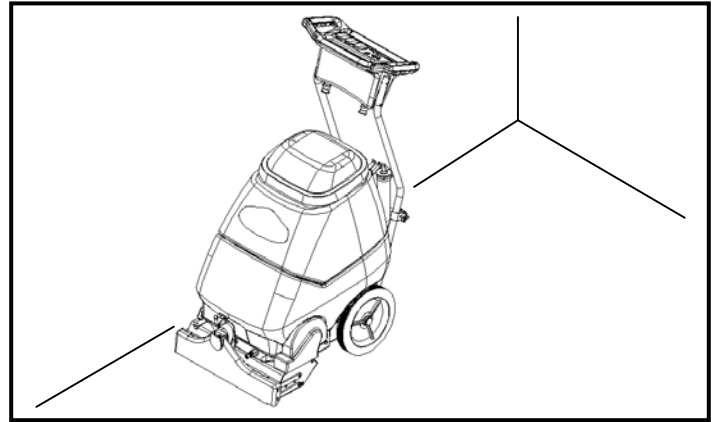
During operation, observe the following: The Admiral is equipped with clear internal covers to facilitate operator viewing of dirty solution and vacuum air flow.

During operation, observe the vacuum intake cover. Large amounts of water or foam entering the vacuum system can damage the vacuum motor. If you notice either condition, **shut down the machine immediately**. Empty recovery tank and/or add defoamer to recovery tank.

CLEANING PROCEDURE

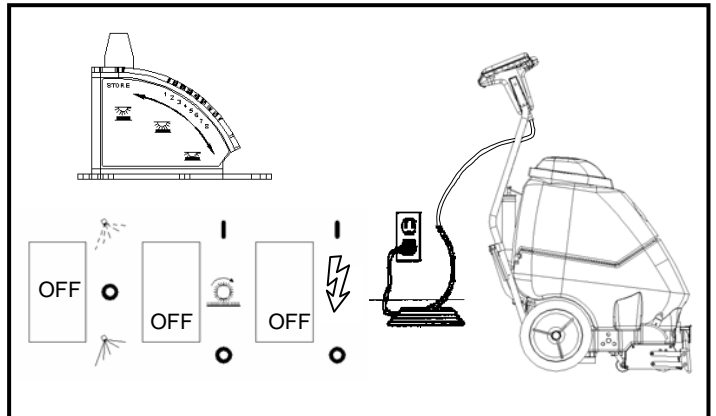
Use right side of machine for cleaning against walls.

STEP
5



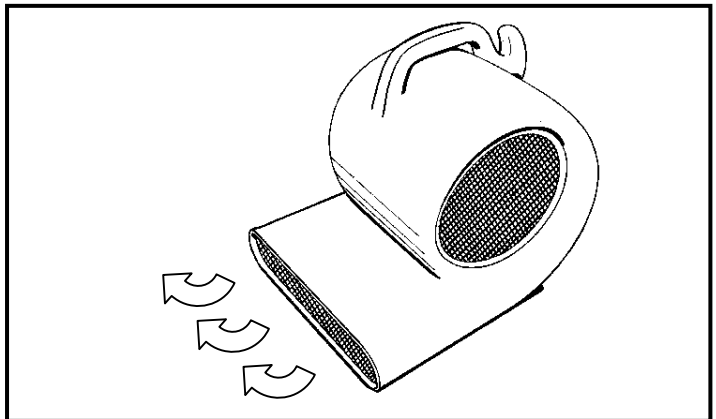
After cleaning, turn off all controls, return brush to storage position and carefully unplug machine.

STEP
6



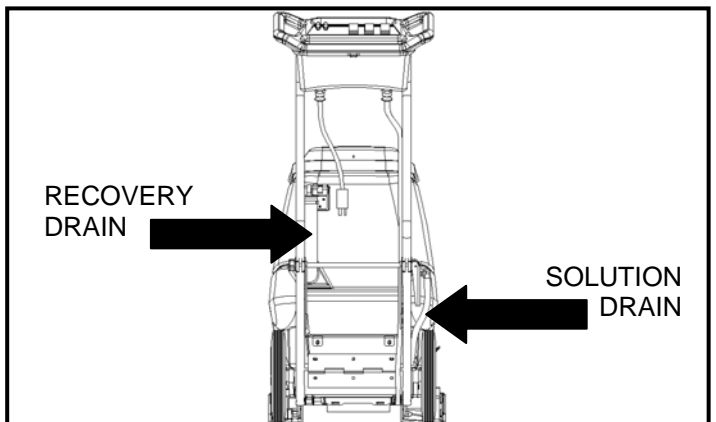
To speed drying, use a Windblower™ fan.

STEP
7

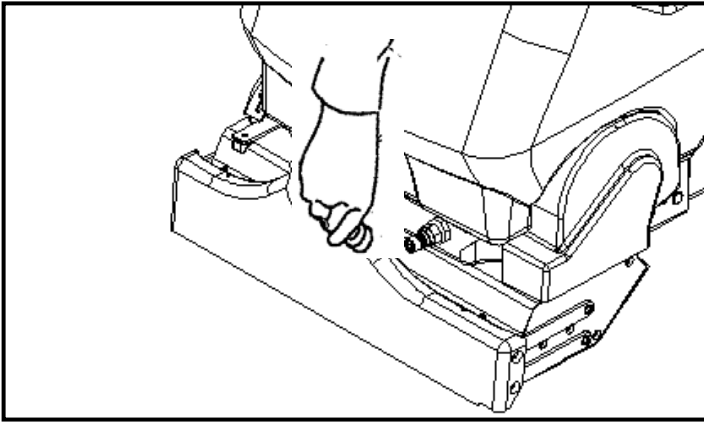


Empty recovery tank by releasing dump hose. Use a hose with cold water to clean out the recovery tank. Also drain solution tank after each use.

STEP
8



ACCESSORY TOOL USAGE

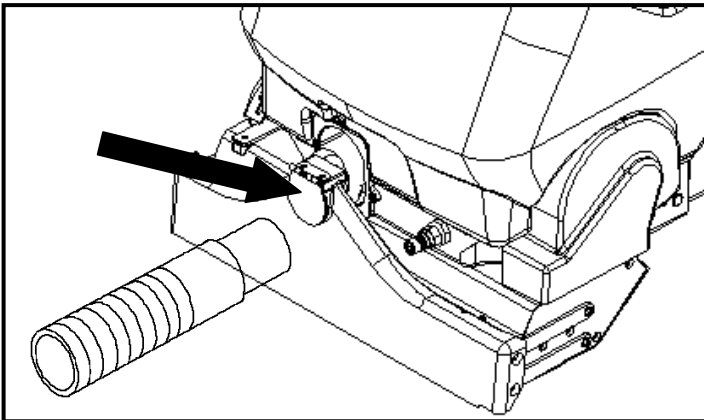


STEP
1

Use only one of the following acceptable accessory tools.

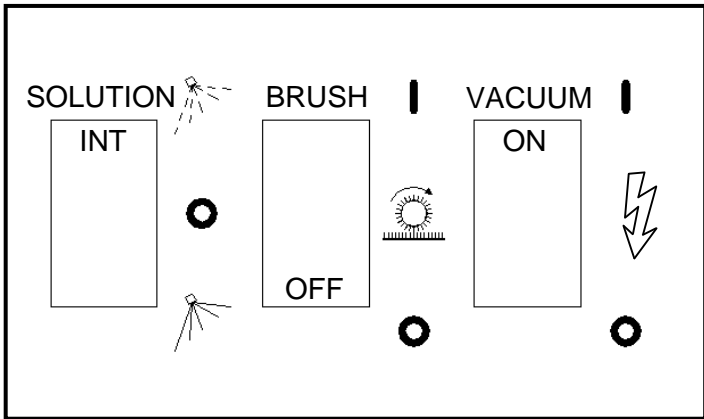
86000020 – PRV NO. HT
86000000 – PRV NO. DDH
86041150 – PRV NO. DH
86031540 – PRV NO. 39504
86000610 – PRV NO. 89227
86000600 – PRV NO. 89226

Pull back collar and insert over machine mounted fitting, then release collar to lock into place.



STEP
2

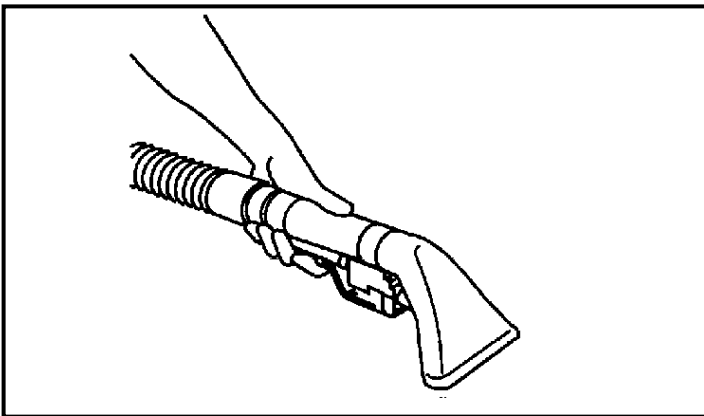
Lift door on front of vacuum shoe and insert 1 ½ inch hose cuff into hole.



STEP
3

Turn on vacuum motor switch and set solution switch to intermittent position.

Note: Be sure brush switch is in off position and brush is in storage position.



STEP
4

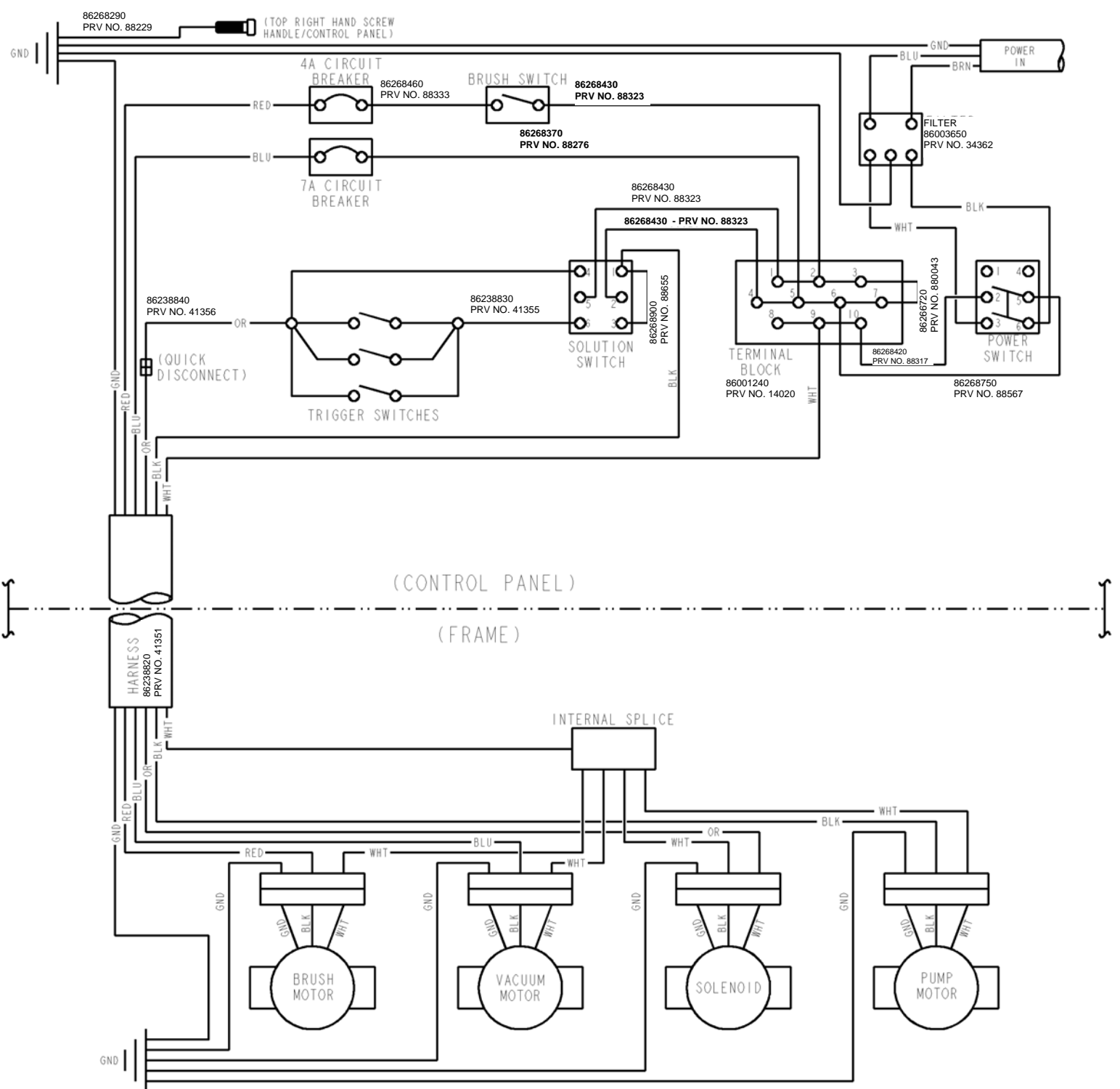
Squeeze handle on accessory tool to begin cleaning.

TROUBLESHOOTING CHART

PROBLEM	CAUSE	SOLUTION
No Power, Nothing Runs	<ol style="list-style-type: none"> 1. Is the cord plugged in. 2. Circuit breaker tripped in building. 3. Faulty switch. 4. Faulty power cord or pigtail. 	<ol style="list-style-type: none"> 1. Plug in cord. 2. Reset breaker 3. Call for service. 4. Call for service.
Vacuum Motor Will Not Run	<ol style="list-style-type: none"> 1. Vacuum circuit breaker tripped. 2. Faulty main vacuum switch. 3. Loose wiring. 4. Faulty vac motor. 	<ol style="list-style-type: none"> 1. Reset breaker 2. Call for service. 3. Call for service. 4. Call for service.
Vacuum Motor Runs But Suction Is Poor	<ol style="list-style-type: none"> 1. Debris lodged in vac shoe. 2. Dome gasket defective or missing. 3. Vacuum hose cracked or hose cuff loose. 4. Recovery tank full / float ball stuck in the up position. 	<ol style="list-style-type: none"> 1. Remove debris from vac shoe. 2. Replace as necessary. 3. Replace or repair as necessary. 4. Turn off vac motor. Drain and rinse recovery tank.
Poor Or No Water Flow (Carpet Is Streaky)	<ol style="list-style-type: none"> 1. Main pump switch off. 2. Jets clogged or missing. 3. Solution filter clogged. 4. Faulty solenoid. 	<ol style="list-style-type: none"> 1. Turn on. 2. Clean using a vinegar /water solution or replace. 3. Drain solution tank and clean solution filter. 4. Call for service.
Brush Does Not Spin	<ol style="list-style-type: none"> 1. Brush switch off. 2. Brush circuit breaker tripped 3. Brush belt broken. 4. Faulty brush motor. 	<ol style="list-style-type: none"> 1. Turn on brush switch. 2. Reset circuit breaker. 3. Replace as necessary. 4. Call for service.

THIS PAGE LEFT INTENTIONALLY BLANK

WIRING DIAGRAM



MAINTENANCE

PERIODIC MAINTENANCE

Twice a month, flush a white vinegar solution (One quart vinegar to two gallons of water) or anti-browning solution (mixed as directed) through the extractor. This will prevent build-up of alkaline residue in the system. If spray jets become clogged, remove the spray tips, wash them thoroughly, and blow-dry.

NOTE: Do not use pins, wire, etc. to clean nozzles as this could destroy spray pattern.

Periodically inspect all hoses, electrical cables and connections on your machine. Frayed or cracked hoses should be repaired or replaced to eliminate vacuum or solution pressure loss. If the cable insulation is broken or frayed, repair or replace it immediately. Don't take chances with electrical fire or shock.

DAILY / REGULAR MAINTENANCE

Before making any adjustments or repairs to the machine, disconnect the power cord from electrical source.

1. Empty unused cleaning solution from the solution tank.
2. Inspect and clean filter screen in solution tank.
3. Flush pumping system with 4 or 7 liters of clean, hot water.
4. After each use, rinse tank with fresh water. Periodically inspect the recovery tank and decontaminate if necessary, using a Hospital Grade Virucide or a 1-10 bleach to water solution. Waste water should be disposed of properly.
5. Check for and remove any lint or debris around vac shoe.
6. Check spray jets for full spray pattern.
7. Remove lint and dirt build-up from brush and housing.

NOTE: Brush removal.

- A. To remove brush, grab and pull brush out from end opposite drive belt (operator's right). Remove other end from brush driver.
- B. To install brush, line up slots in brush core with pin in driver on drive belt side (operator's left) and push brush onto driver. Then snap bearing end (opposite end) of brush into retaining clip.
8. Check cooling air screen (located on frame behind left wheel) for lint or debris.
9. Check float and shut-off screen and clean as necessary.

NOTE: Always store machine with brush in "Store" position.



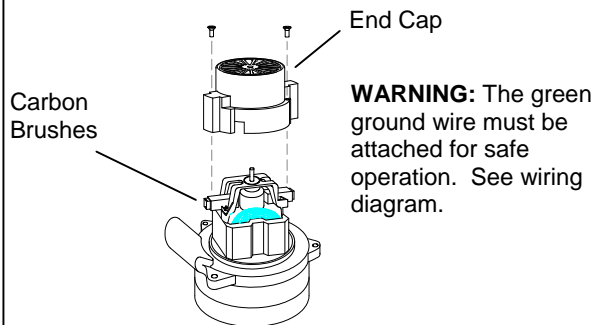
WARNING:

ONLY QUALIFIED MAINTENANCE PERSONNEL ARE TO PERFORM THE FOLLOWING REPAIRS.

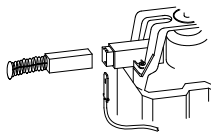
VACUUM MOTOR REPLACEMENT

1. Turn off all switches and unplug machine.
2. Remove recovery tank.
3. Remove the (2) screws that fasten the solution tank to the frame, and tilt tank back to expose the inside of the frame.
4. Locate the vacuum motor wires and disconnect at the connector. Close the solution tank.
5. Remove the (6) screws holding the vacuum motor cover (p/n 86003080 – PRV NO. 27809) to the solution tank.
6. Remove the vacuum motor.
7. Reverse process to install vacuum motor.

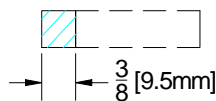
Vacuum Motor Carbon Brushes Replacement (Windsor)



If armature commutator is grooved, extremely pitted or not concentric, the motor will need to be replaced or sent to a qualified service center.

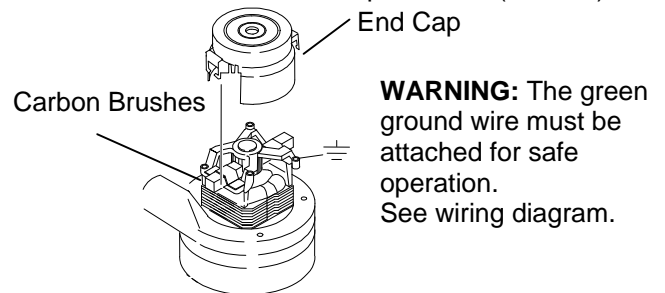


Important:
These brushes wear quicker as the length shortens due to increased heat. Spring inside brush housing will damage motor if brushes are allowed to wear away completely.



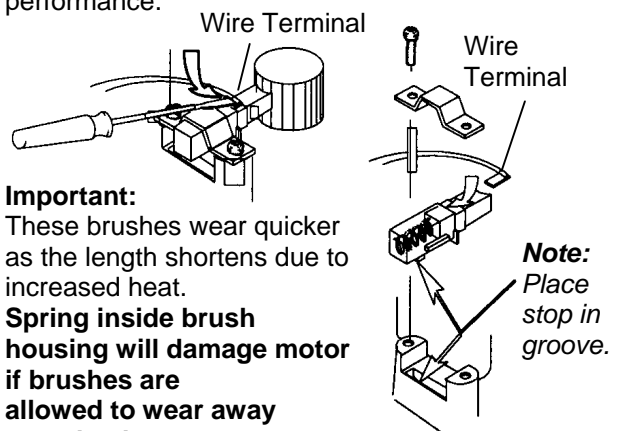
Periodically check the length of the carbon brushes. Replace both carbon brushes when either is less than 3/8" (9.5mm) long.

Vac Motor Carbon Brushes Replacement (Ametek)

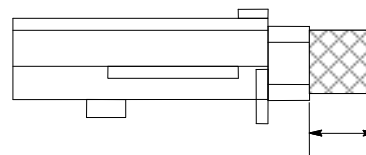


Note: When replacing carbon vac motor brushes loosen wire terminal **BEFORE** removing screws on bracket.

If armature commutator is not concentric, extremely pitted, or grooved the motor will need to be replaced or sent to a qualified service center to restore vac performance.



Important:
These brushes wear quicker as the length shortens due to increased heat.
Spring inside brush housing will damage motor if brushes are allowed to wear away completely.

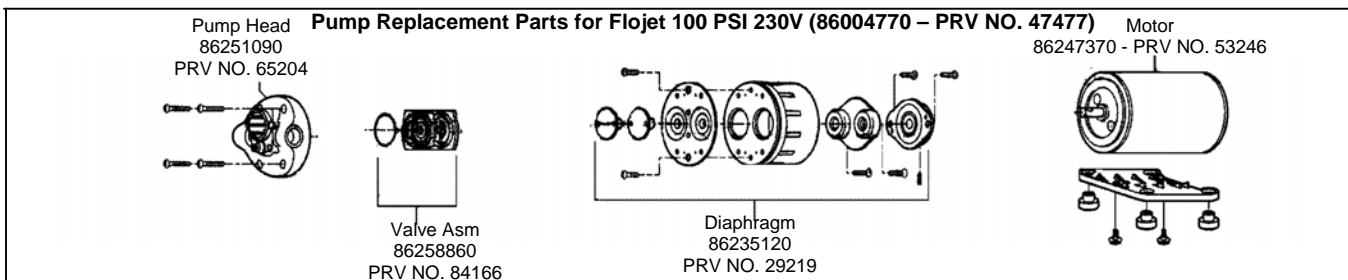
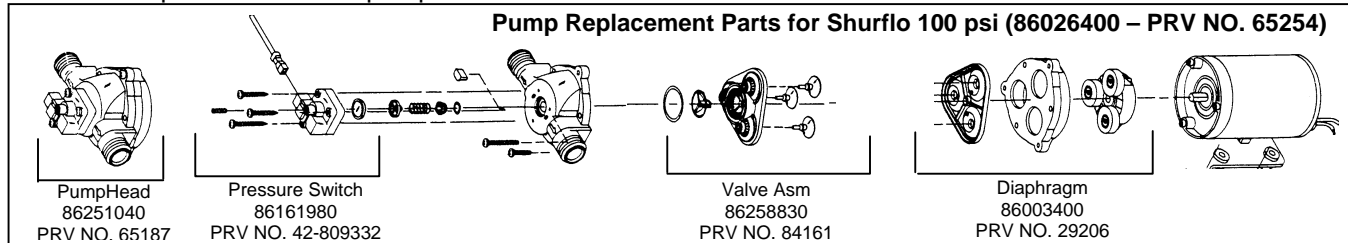


Periodically check the length of the carbon brushes. Replace both carbon brushes when either is less than 3/8" long.

MAINTENANCE

SOLUTION PUMP REPLACEMENT

1. Turn off all switches and unplug the machine.
2. Remove recovery tank.
3. Remove the (2) screws that fasten the solution tank to the frame, and tilt tank back to expose the inside of the frame.
4. Remove solution hoses from fittings in pump.
5. Remove the (2) screws that fasten the pump to the frame.
6. Reverse process to install pump.



ONLY QUALIFIED MAINTENANCE PERSONNEL ARE TO PERFORM THE FOLLOWING REPAIRS.

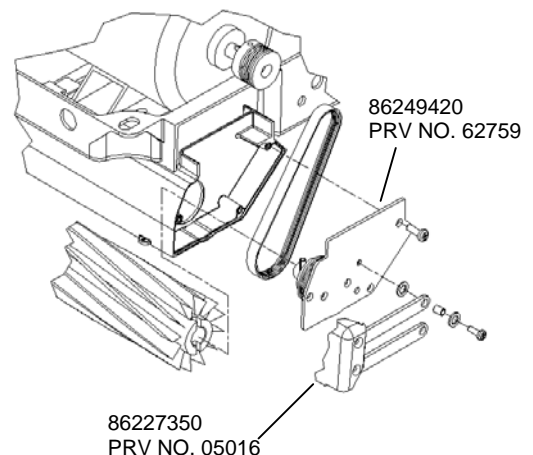
WARNING: BELT REPLACEMENT

1. Turn off all switches and unplug machine.
2. Remove recovery tank and brush.
3. Remove the (2) screws that fasten the solution tank to the frame, and tilt tank back to expose the inside of the frame.
4. Loosen the (4) screws that hold the brush motor in place and slide motor forward to release tension in belt.
5. Remove the (2) screws that fasten the vacuum shoe links (p/n 86227350 – PRV NO. 05016) to the brush housing.

6. Remove the (3) screws that fasten the side plate (p/n 86249420 – PRV NO. 62759) to the brush housing to remove belt.

NOTE: All components associated with driving the brush will come out with the side plate.

7. Reverse process to install belt.



TECHNICAL SPECIFICATIONS

POWER TYPE

ELECTRICAL: 230-240 V, 7 A, 50 HZ

ELECTRIC VACUUM MOTOR: (1) –3 stage, 1 hp, 99 cfm (2.80 cubic meters/min.) Waterlift – 117" (297cm)

BRUSH: (1) 15" (38.1 cm.)

SOLUTION PUMP: 100 PSI, diaphragm style, internal bypass

SOLUTION CAPACITY: 8 gallons (30.3 ltr)

RECOVERY CAPACITY: 8 gallons (30.3 ltr)

BRUSH SPEED: 1000 rpm

GENERAL DIMENSIONS/WEIGHT

Vacuum shoe: 17" (43.18 cm) cast aluminum with spring loaded down pressure

WHEELS: (2) 10" dia. (25 cm) wheels by 2"

WEIGHT: 92 lbs. (42 kg)

LENGTH: 35" (89 cm)

HEIGHT: 42" (107 cm)

WIDTH: 18.5" (47 cm)

SOLUTION SPRAY: 2 quick change jets.

POWER CABLE: 50' (12.7 m) (1 mm)

