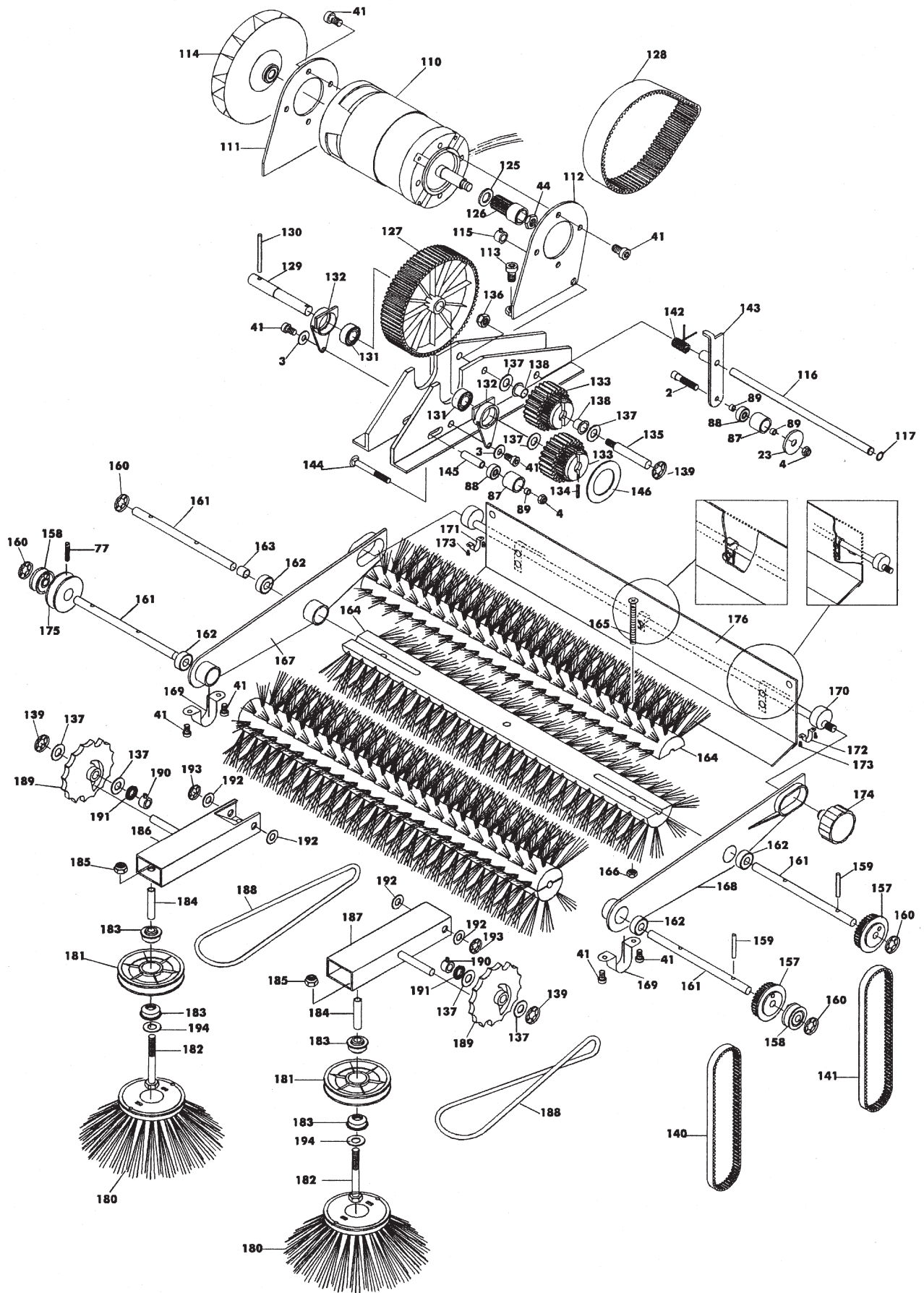
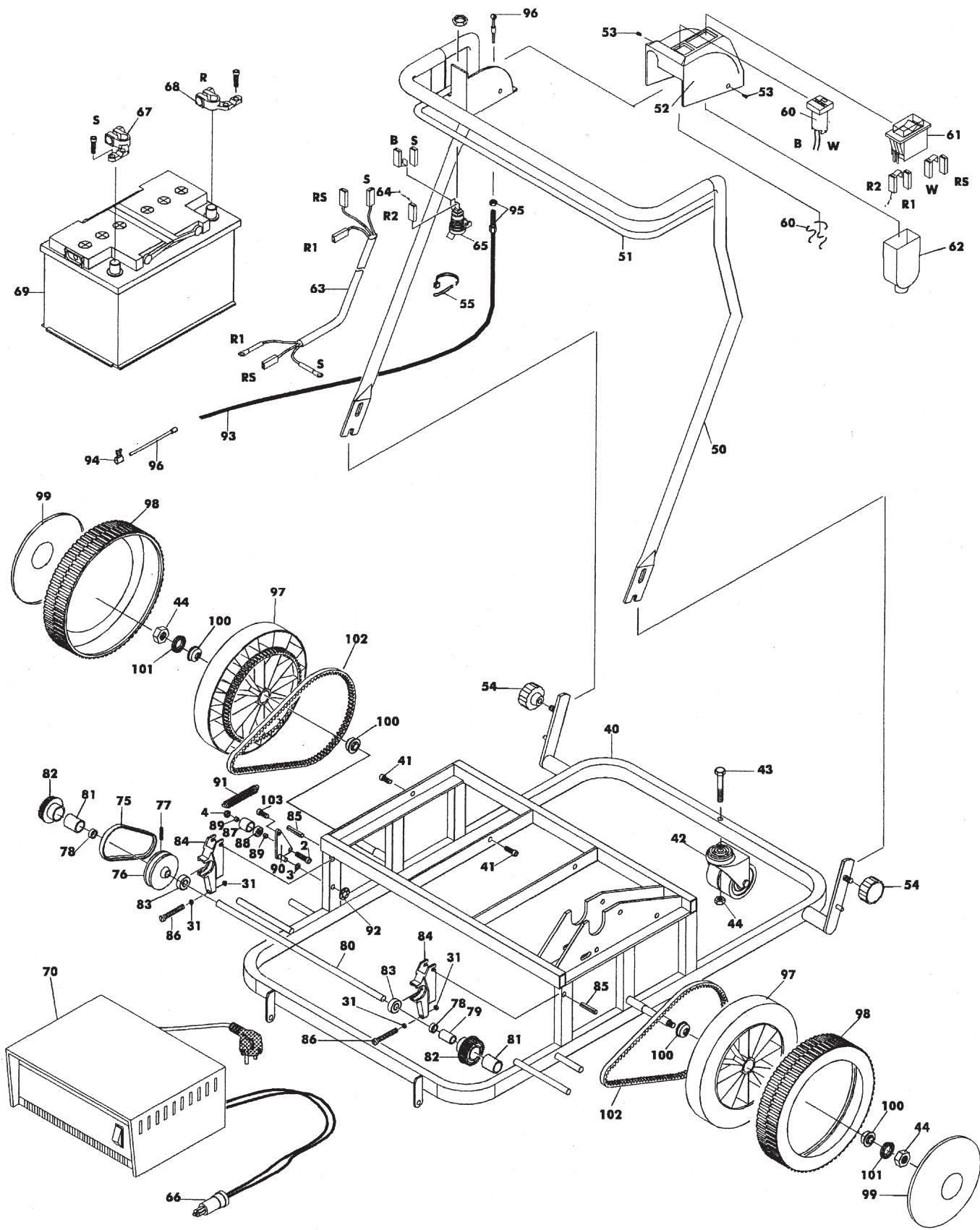


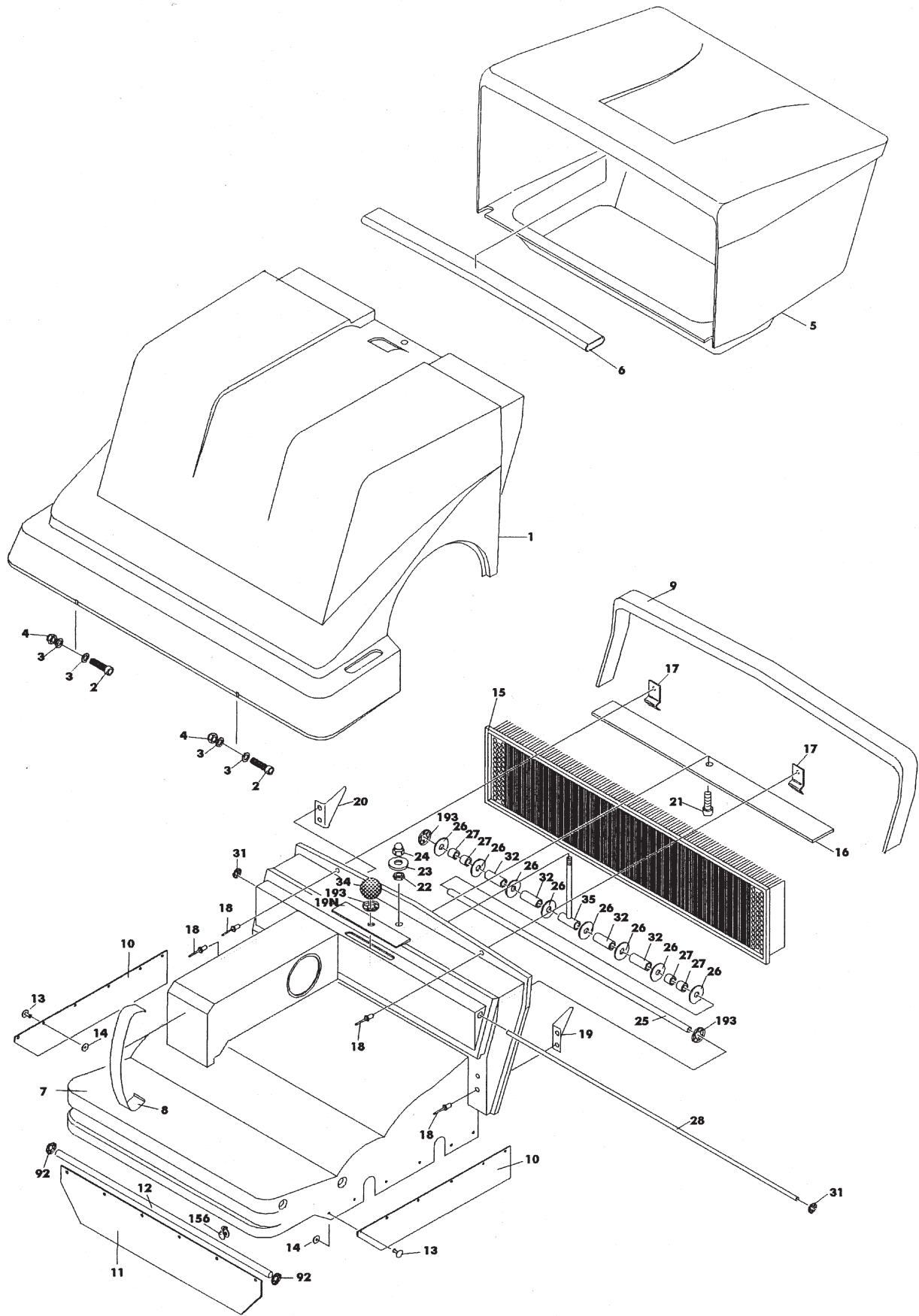
ref#	part #	desc
1		Bonnet
2		Screw
3		Washer
4		Nut
5		Dirt collector
6		Reinforcement tube
7		Roll cover
8		Tension Band
9	PS901	Profiled gasket
10	PS902	Gasket, lhs + rhs
11	PS903	Gasket
12		Shaft
13	PS904	Rivet
14		Washer
15	PS905	Filter
16	PS906	Fixing sheet
17		Plate spring
18		Rivet
19		Filter protection plate lh
19N		Rubberplate
20		Filter protection plate rh
21		Screw
22		Nut
23	PS907	Washer
24	PS908	Nut
25		Tube
26	PS909	Washer/ Rubber
27	PS910	Spacer
28		Axle
31		Locking washer
32		Spacer
34	PS911	Handle
35		Lever
40		Frame
41	PS912	Screw
42	PS914	Caster
43		Screw
44		Nut
50		Steering handle
51		Accelerator
52		Coverage
53		Screw
54	PS915	Fixing handle
55		Wire fixing
60		Battery-control
61	PS916	Switch/ fuse
62	PS917	Protection
63	PS918	Cable-set
64		Wire
65	PS920	Connector socket
66	PS921	Plug
67		Terminal -
68		Terminal +
69		Battery, 12 V
70	PS922	Battery-charger
75	PS923	V-Belt, 10x475
76		Pulley

ref#	part #	desc
77		Headless screw
78	PS924	Spacer
79	PS925	Spacer
80		Shaft
81	PS926	Shell tape overr. clutch
82	PS927	Ratched wheel
83		Bearing
84	PS928	Support for shaft
85		Sleeve
86		Screw
87	PS929	Tightener
88	PS930	Bearing
89		Spacer
90		Support for tightener
91		Spring
92		Locking washer
93	PS931	Exterior cable
94	PS932	Binding screw
95	PS933	Adjustment screw
96	PS934	Cable
97	PS935	Wheel
98	PS936	Profile rubber
99	PS937	Hub cap
100	PS939	Bearing
101		Serrated lock washer
102	PS940	Toothed belt, 750 mm
103	PS941	Screw
110	PS942	Motor, 12 V, 250 W.
111	PS943	Motor support right
112	PS944	Motor support left
113	PS946	Screw
114	PS947	Ventilator
115	PS948	Adjustment sleeve
116	PS949	Shaft
117	PS950	Circlip
125		Washer
126	PS951	Ratched wheel 14 teeth
127	PS952	Ratched wheel 98 teeth
128	PS953	Ratched belt, 550 mm
129	PS954	Shaft
130	PS955	Pin
131	PS956	Bearing
132	PS957	Support
133	PS958	Ratched wheel
134	PS959	Adapter sleeve
135		Shaft
136		Nut
137	PS960	Washer, plastic
138	PS961	Slide bearing
139	PS962	Locking washer
140	PS963	Ratched belt, 600 mm
141	PS964	Ratched belt, 635 mm
142		Spring
143		Support of tightener
144		Screw
145		Spacer, steel
156		Clip

ref#	part #	desc
157	PS965	Ratched wheel 32 teeth
158	PS966	Pulley, sidebrush
159	PS967	Pin
160	PS968	Locking washer
161	PS969	Shaft
162	PS970	Bearing
163	PS971	Spacer
164	PS972	Brush roll half
165	PS973	Screw
166	PS974	Nut
167	PS975	Adjusting plate, right
168	PS976	Adjusting plate, left
169	PS977	Clip
170		Height adjustment
171	PS978	Clip, right
172	PS979	Clip, left
173	PS980	Screw
174	PS981	Adjustment handle
175	PS982	Pulley
176	PS983	Recirculating flap
180		Side brush
181	PS984	Pulley
182	PS985	Screw
183		Bearing
184	PS986	Spacer
185		Nut
186		Side brush holder, right
187		Side brush holder, left
188	PS987	V-belt
189		Adjustmentplate
190		Adjustment sleeve
191		Serrated lock washer
192		Washer
193		Locking washer
194		Washer
250		Clutch
251		Support for clutch
252		Circlip
253		Screw
254		Screw
255		Spacer
256		Support
257		Screw
258		Tube
259		Engine
260		Support
261		Screw
262		V-pulley
263		Headless screw
264		Shaft
265		Support
266		Bearing
267		Screw
268		Shaft
269		Screw
270		Wire
271		Switch







# Service and Troubleshooting

## Service Schedule

<b>Daily</b>	
Sweeping brush	check the height adjustment and if there are possibly stuck or rolled up objects
Vacuum: brush on top	clean / check for damage
<b>Monthly</b>	
Battery	check level of liquid and refill if necessary
Belt	check for defects and voltage
Sweeping roller and side brush	check for wear

## Troubleshooting:

<b>A.) the motor doesn't start</b>	
possible reason	potential solution:
<b>1.)</b> the battery is not charged	Charge the battery
<b>2.)</b> the overload protection jumps out	the drive is blocked or correct brush roller by removing the dirt container and removing objects from brushes
<b>3.)</b> interruption in the electrical line	check the line (see the wiring diagram) and repair the connection if necessary
<b>B.) the results of sweeping are not satisfactory</b>	
possible reason	potential solution:
<b>1.)</b> the dirt container is overfilled	empty the dirt container
<b>2.)</b> sweepings are caught in the sweeping brush	take out the dirt container and remove the object
<b>3.)</b> the roller RPM's are too low	charge the battery or check for brush blockage
<b>4.)</b> height adjustment of the sweeping brush is wrong	adjust the height in such a fashion that only the tips of the bristles touch the floor
<b>C.) the running time of the machine is insufficient</b>	
possible reason	potential solution:
<b>1.)</b> the battery has little power	check the battery and refill acid if necessary and charge, exchange battery if necessary
<b>2.)</b> the power consumption is too high	check the main brush for height adjustment and to see if they are blocked
<b>3.)</b> the battery is insufficiently charged	check to see if the battery and battery charger are functioning perfectly
<b>D.) the brushes do not rotate</b>	
possible reason	potential solution:
<b>1.)</b> the belt of the power transmission unit is defective / has slipped off	check all of the belts on the machine (7 pieces)
<b>2.)</b> sweepings are caught in the sweeping roller	the drive is blocked or correct brush roller by removing the dirt container and removing objects from brushes
<b>E.) the steering drive is not functioning / not properly</b>	
possible reason	potential solution:
<b>1.)</b> the tooth belt is defective / has slipped off	replace if defective and check all other belts
<b>2.)</b> the friction clutch is not engaging	adjust the setting mechanism on the handle console (part 95)
<b>F.) too much dust develops</b>	
possible reason	potential solution:
<b>1.)</b> the dust filter is clogged	tap out the filter; remove and replace if necessary
<b>2.)</b> the container is improperly inserted	put the container properly in place



*A Tacony Company*  
3101 Wichita Court  
Ft. Worth, TX 76140-1755