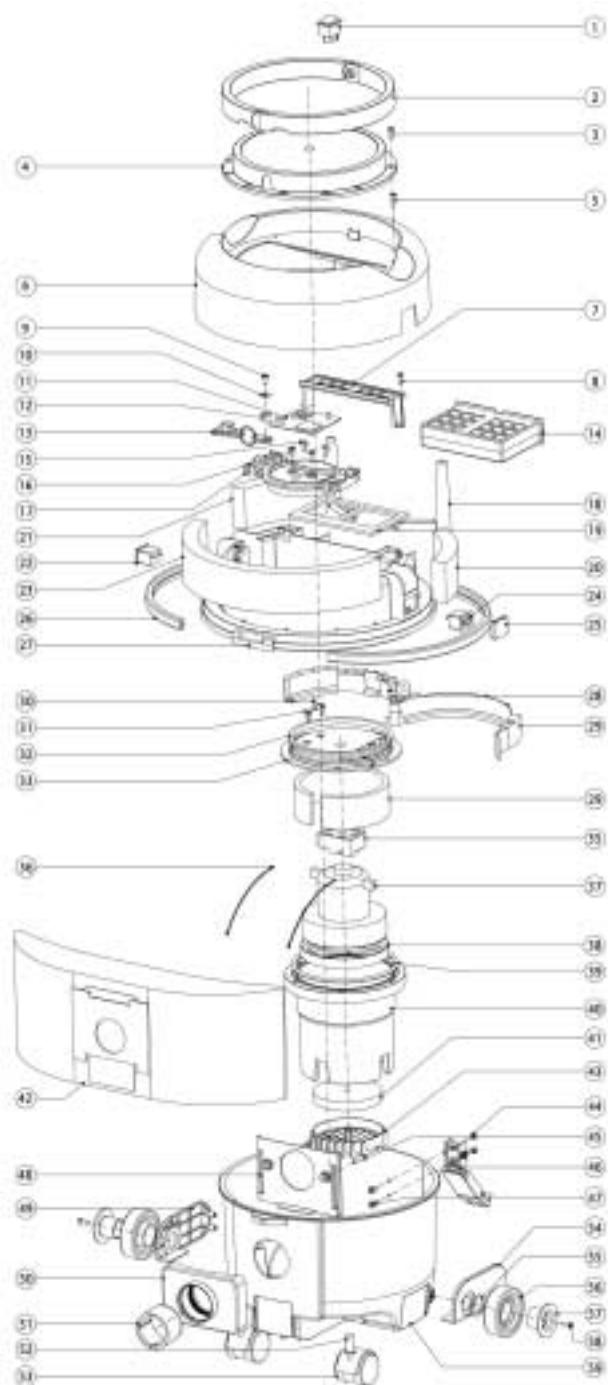


CANISTER VAC PARTS LIST

ref#	part #	description	ref#	part #	description
1		CABLE	61	CM9	REAR CASTER BLACK
1		CORD CONNECTOR 3-POLE	62	CM10	SOCKETS DOUBLE CASTER
2		TERMINAL POWER CONN. 12 POLE	63	CM11E	CASTER DOUBLE 50MM RUBBER/BNY
5		MOTOR VAC	64		GASKET HOSE CONN COMP EPDM CEL
6		SUPPRESSOR RFI	70		PAPER BAG INLET CONNECTOR BLACK
25		CARRY HANDLE	71a		HOSE CONN COMP
26	CM3	SWITCH 4-P. LIGHT	71b		CAN CONNECTOR BLACK
27	CM4	SWITCH PA	72	CM12	HOSE ASSEMBLY
28		RECEPT INLET 2 POLE	80	CM13	WAND
32		CABLE HOOK BLACK	81	CM14	FLOOR TOOL
33	CM5	FILTER CASSETTE ASSEMBLY	82	CM15	CREVICE TOOL
34		TOPCOVER	85	CM2	PAPER BAG
35		BLOCK/CLIP FILTER CASSETTE	87		30 DEGREE BEND
36		WAND LOCKER	89		MANUAL
40		MOTOR COVER	100		SCREW PT WN1412KB60X20 COMP.
41		MOTOR GASKET COMP BOTTOMLARGE	101		SCREW 5x14
41		MOTOR GASKET COMP TOP /SMALL	101		WARNING STICKER
42	CM6	GASKET ROUND 08MM FOR COVER	102		STICKER CARD
43		BUMPER EPDM 60/5 SHORE A GREY	102		SCREW M5 X 12
44		CABLE RESTRAIN ASSEMBLY	103		NUT M5 NYLON
47		GASKET ROUND 06MM FOR MOTOR	105		SCREW /PARKER 2.9x16
49		MOTOR HOUSING BLACK	106		SCREW 4 X 16
52	CM7	CARTRIDGE FILTER	110	CM16	GASKET FILTER CASSETTE
53		PAPER BAG HOLDER BLACK	111	CM17	FELT TOP
54		CAN/TUB	112	CM18	FELT MOTORBASE 0 ROUND X -Y
55		CLIP ASSEMBLY	113	CM19	FOAM SIDE FORM.
56		STORAGE CLIP/FIXTURE BLACK	114	CM20	FELT MOTOR HOUSING X-Y
56		STORAGE CLIP/FIXT LEFT	ED		WIRE BROWN 1 MM 2 220 MM
57		SHIM RING 0.26	ED		WIRE BLACK 0,75 MM2 310 MM OEP
60	CM8	REAR CASTER BEARING BLACK	ED		WIRE BLUE 160 S/S
			ED		WIRE BROWN 1 MM2 150 M F/F/

PF6/PF6H EXPLODED VIEW



PF9/PF9H EXPLODED VIEW

